

# JQX- 102F (Version)

30.5×16.0×23.5

COC 09002028962  R50126381

 US E158859

### Features

- Can be welded directly onto PCB .
- Used in household appliances like air conditioning , heater and instruments etc.

### Ordering Information

**JQX-102F** A Z DC12V 0.9

1            2            3            4            5

1 Part number: JQX-102F  
2 Contact arrangement: A:1A  
3 Enclosure: Z: Dust cover

4 Coil rated voltage(V): DC:5,12,24,48  
5 Coil power consumption: 0.9:0.9W

### Contact Data

Contact Arrangement		1A (SPSTNO)	
Contact Material		AgSnO <sub>2</sub>	
Contact Rating( Resistive)		20A/250VAC	
Max. Switching Power		5000VA	
Max. Switching Voltage		300VAC	Max. Switching Current:20A
Contact Resistance or Voltage drop		<30mΩ (at 1A/14VDC)	Item 4.12 of IEC 61810-7
Operation	Electrical	10 <sup>5</sup>	Item 4.30 of IEC 61810-7
life	Mechanical	2 × 10 <sup>6</sup>	Item 4.31 of IEC 61810-7

### Coil Parameter

Dash numbers	Coil voltage VDC		Coil resistance Ω ± 10%	Pick up voltage VDC(max) (70% of rated voltage )	Release voltage VDC(min) (10% of rated voltage)	Coil power consumption W	Operate Time ms	Release Time ms
	Rated	Max.						
005-900	5	6	27.8	3.5	0.5	0.9	<20	<10
012-900	12	14.4	160	8.4	1.2			
024-900	24	28.8	640	16.8	2.4			
048-500	48	57.6	2560	33.6	4.8			

**CAUTION:** 1.The use of any coil voltage less than the rated coil voltage will compromise the operation of the relay.  
2.Pickup and release voltage are for test purposes only and are not to be used as design criteria.

### Operation condition

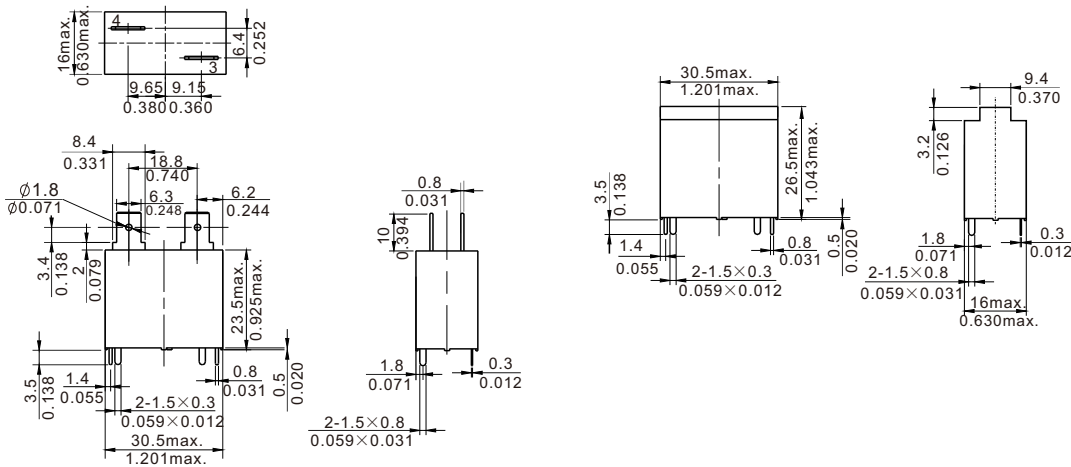
Insulation Resistance	1000M $\Omega$ min (at 500VDC)	Item 7 of IEC 60255-5
Dielectric Strength Between contacts Between contact and coil	50Hz 1500V 50Hz 4500V Surge voltage:10kV	Item 6 of IEC 60255-5 Item 6 of IEC 60255-5 Item 8 of IEC 60255-5
Shock resistance	Functional:200m/s <sup>2</sup> 11ms Survival:1000 m/s <sup>2</sup> 11ms	IEC 68-2-27 Test Ea
Vibration resistance	10Hz~55Hz double amplitude Functional 1.5mm double amplitude Survival 2.0mm	IEC 68-2-6 Test Fc IEC 68-2-6 Test Fc
Terminals strength	10N 8N	IEC 68-2-21 Test Ua1 and Ua2
Solderability	235 $\pm$ 2 $^{\circ}$ C 3s $\pm$ 0.5s	IEC 68-2-20 Test Ta method 1
Ambient Temperature	-25 $^{\circ}$ C ~85 $^{\circ}$ C	
Relative Humidity	85% (at 40 $^{\circ}$ C)	IEC 68-2-3 Test Ca
Mass	23g	

### Safety approvals

Safety approval	UL&CUR	TUV	CQC
Load	20A/250VAC	20A/250VAC COS $\Phi$ =0.9	20A/250VAC

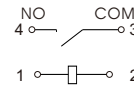
### Dimensions

mm /inch



Dimensions

Mounting (Bottom view)



Wiring diagram  
(Bottom view)

NOTES 1).Dimensions are in millimeters.  
2).Inch equivalents are given for general information only.