



23×15.5×26

NVFM

Features

- Switching capacity up to 35A.
- PC board mounting and insert mounting available.
- Suitable for automation system and automobile auxiliary etc.

Ordering Information

NVFM **C** **Z** **20** **DC12V** **1.5** **b** **D**

1 2 3 4 5 6 7 8

1 Part number: NVFM
 2 Contact arrangement: A:1A (1.2W); C:1C(1.5W)
 3 Enclosure: S: Sealed type; Z: Dust cover;
 4 Contact current: 35:35A/14VDC; 30:30A/14VDC
 25:25A/14VDC; 20:20A/14VDC

5 Coil rated voltage(V): DC:6,12,24,48
 6 Coil power consumption: 1.2:1.2W; 1.5:1.5W
 7 Terminals: b: PCB type; a: plug in type
 8 Coil transient suppression: D: with diode;
 R: with resistance;
 NIL: standard

Contact Data

Contact Arrangement	1A (SPSTNO)	1C (SPDT(B-M))
Contact Material	AgSnO ₂ , AgNi	
Contact Rating (resistive)	1A: 35A,25A/14VDC; 1C: 20A/14VDC,NO:30A/14VDC,NC:25A/14VDC	
Max. Switching Power	490W	
Max. Switching Voltage	75VDC	Max. Switching Current:35A
Contact Resistance or Voltage drop	<50mΩ	Item 4.12 of IEC 61810-7
Operation life	Electrical	10 ⁵ Item 4.30 of IEC 61810-7
	Mechanical	10 ⁷ Item 4.31 of IEC 61810-7

Coil Parameter

Dash numbers	Coil voltage VDC		Coil resistance Ω ± 10%	Pick up voltage VDC(max) (70%of rated voltage)	Release voltage VDC(min) (10% of rated voltage)	Coil power consumption W	Operate Time ms	Release Time ms
	Rated	Max.						
006-1200	6	7.8	30	4.2	0.6	1.2	<10	<7
012-1200	12	15.6	120	8.4	1.2			
024-1200	24	31.2	480	16.8	2.4			
048-1200	48	62.4	1920	33.6	4.8			
006-1500	6	7.8	24	4.2	0.6	1.5	<10	<7
012-1500	12	15.6	96	8.4	1.2			
024-1500	24	31.2	384	16.8	2.4			
048-1500	48	62.4	1536	33.6	4.8			

CAUTION: 1.The use of any coil voltage less than the rated coil voltage will compromise the operation of the relay.
 2.Pickup and release voltage are for test purposes only and are not to be used as design criteria.

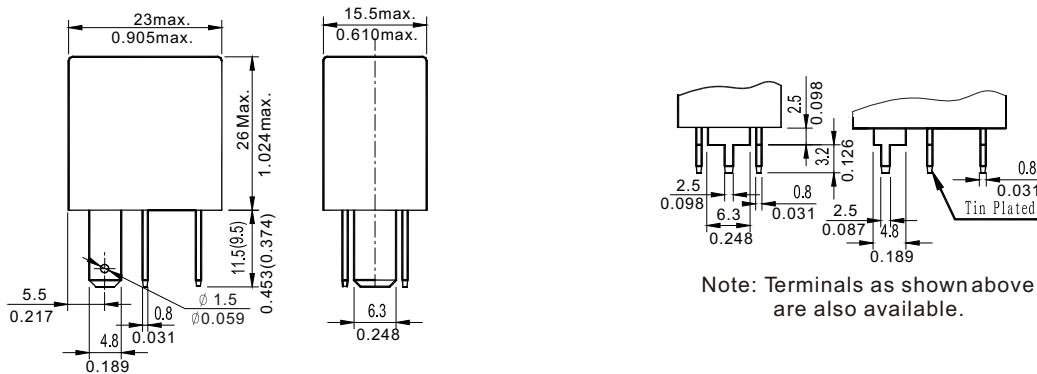
Operation condition

Insulation Resistance ¹⁾	100MΩ min (at 500VDC)	Item 7 of IEC 60255-5
Dielectric Strength ¹⁾		
Between contacts	50Hz 500V	Item 6 of IEC 60255-5
Between contact and coil	50Hz 1000V	Item 6 of IEC 60255-5
Shock resistance	100m/s ² 11ms	IEC 68-2-27 Test Ea
Vibration resistance	10Hz~40Hz double amplitude 1.27mm	IEC 68-2-6 Test Fc
Terminals strength	8N 4N (PC type)	IEC 68-2-21 Test Ua1
Solderability	235°C ± 2°C 3s ± 0.5s	IEC 68-2-20 Test Ta method 1
Ambient Temperature	-40°C ~ 125°C	
Relative Humidity	85% (at 40°C)	IEC 68-2-3 Test Ca
Mass	18.5g	

Note: 1). When testing, coil terminals should be connected, if coil transient suppression is installed in relay.

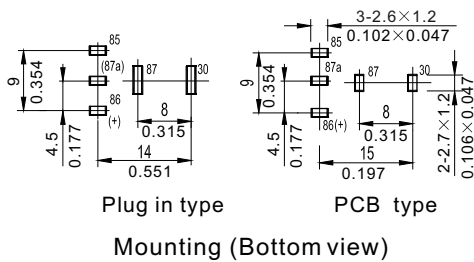
Dimensions

mm /inch

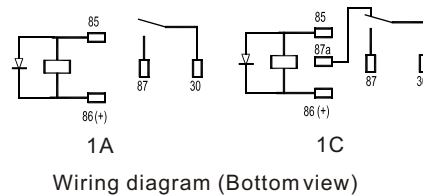


Note: Terminals as shown above are also available.

Dimensions



Plug in type
PCB type
Mounting (Bottom view)



1A
1C
Wiring diagram (Bottom view)

- NOTES 1). Dimensions are in millimeters.
2). Inch equivalents are given for general information only.
3). It is based on customer demand to have lead pin hole or not.

Reference Data

