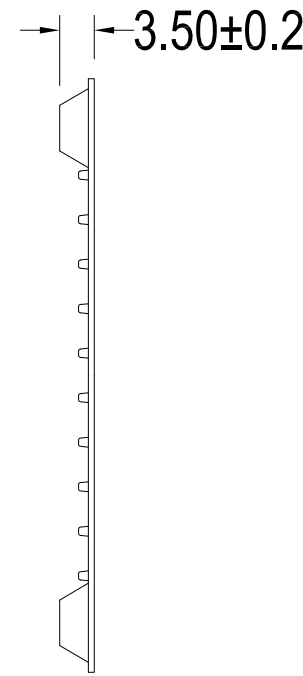
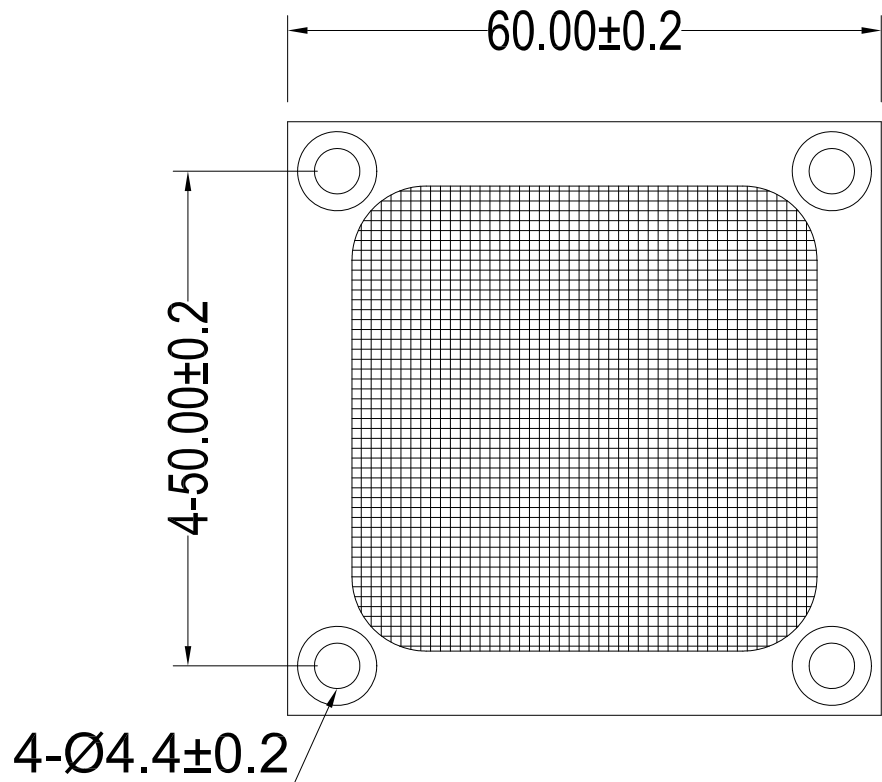


REVISED RECORD				
REV NO.	CONTENT	CHG BY	DATE	APPROVED BY
B2			01/18/2014	Gavin



Fits for Fan Size:

- 60*60*10mm 60*60*15mm 60*60*20mm
- 60*60*20mm 60*60*25mm 60*60*38mm

Notes:

- * Frame : Aluminum with 1.6mm thickness.
- * Mesh : 30*30 mesh convoluted approx 1/8" deep with approx . 3/16" pitch .

UNLESS OTHERWISE SPECIFIED TOLERANCES		COOLTRON INDUSTRIAL SUPPLY, INC.			
X. XXX	±0.127	UNITS			
X. XX	±0.15				
X. X	±0.2				
X. X°	±0.5°				
DRAWN	Gavin	DATE	01/18/2014	TITLE	FFA-060A-1
CHECKED		DATE		Drawing Number	
APPROVED		DATE		Process:	SCALE 1:1 SHT 1 OF 1
THIRD ANGLE		PROJECT			