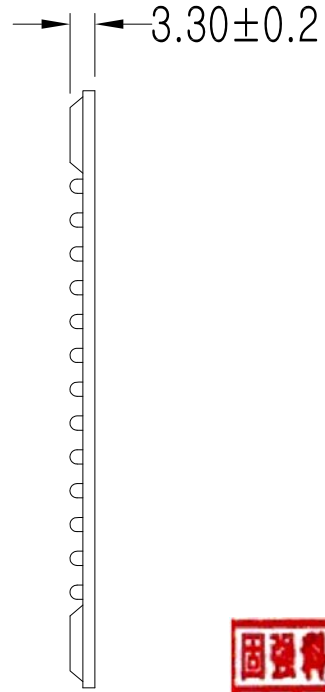
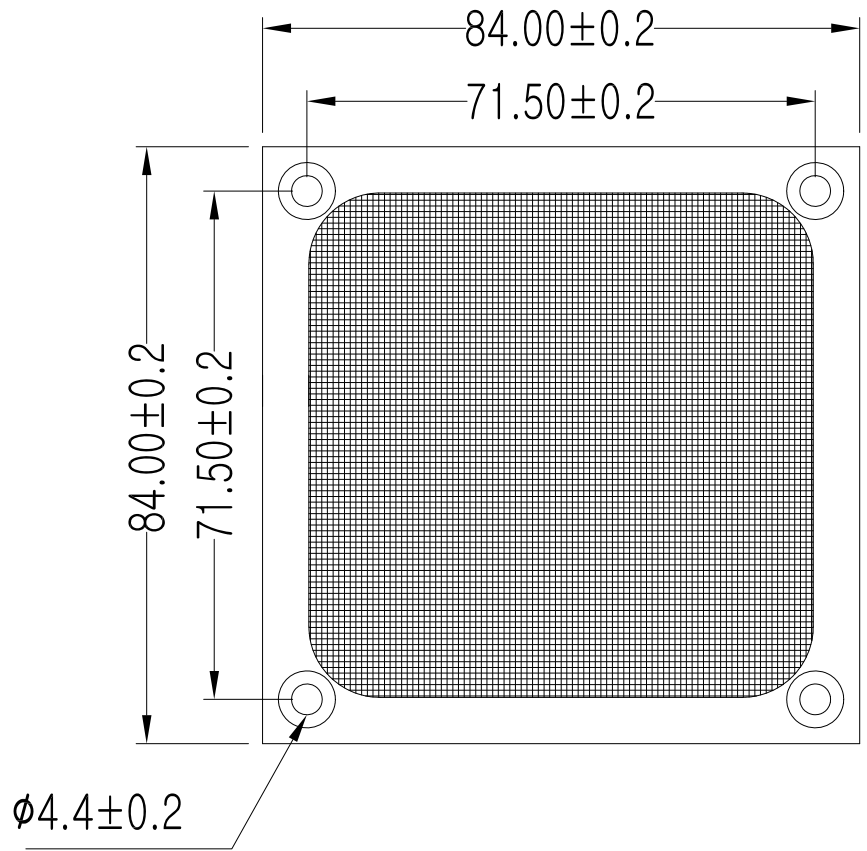


REVISED RECORD

REV NO.	CONTENT	CHG BY	DATE	APPROVED BY
A0.		Gavin	2014/01/18	



Fits for Fan Size:

- 80\*80\*10mm 80\*80\*15mm 80\*80\*20mm
- 80\*80\*25mm 80\*80\*32mm 80\*80\*38mm

Notes:

- \*Frame: Aluminum with 1.6mm thickness.
- \*Mesh: 30\*30 mesh convoluted approx 1/8" deep with approx. 3/16" pitch.

*Product dimension Gen. Tol. : ±0.05*		Control Dimensions		X.XXX For QC Check	
DWG REV	UNLESS OTHERWISE SPECIFIED	TOLERANCES	COOLTRON INDUSTRIAL SUPPLY, INC.		
DATE	X.XXX/FL ± 0.127	UNITS			
	X.XX ± 0.254	MM			
A0	2014/01/18	DRAWN	Gavin	DATE	2014/01/18
A1		CHECKED		DATE	
A2		APPROVED		DATE	
A3		THIRD ANGLE		PROJECT	
				TITLE:	
				Drawing Number:	FFA-080A-1
				Process:	
				SCALE	1:1
				SHT OF	A total of one page The first page