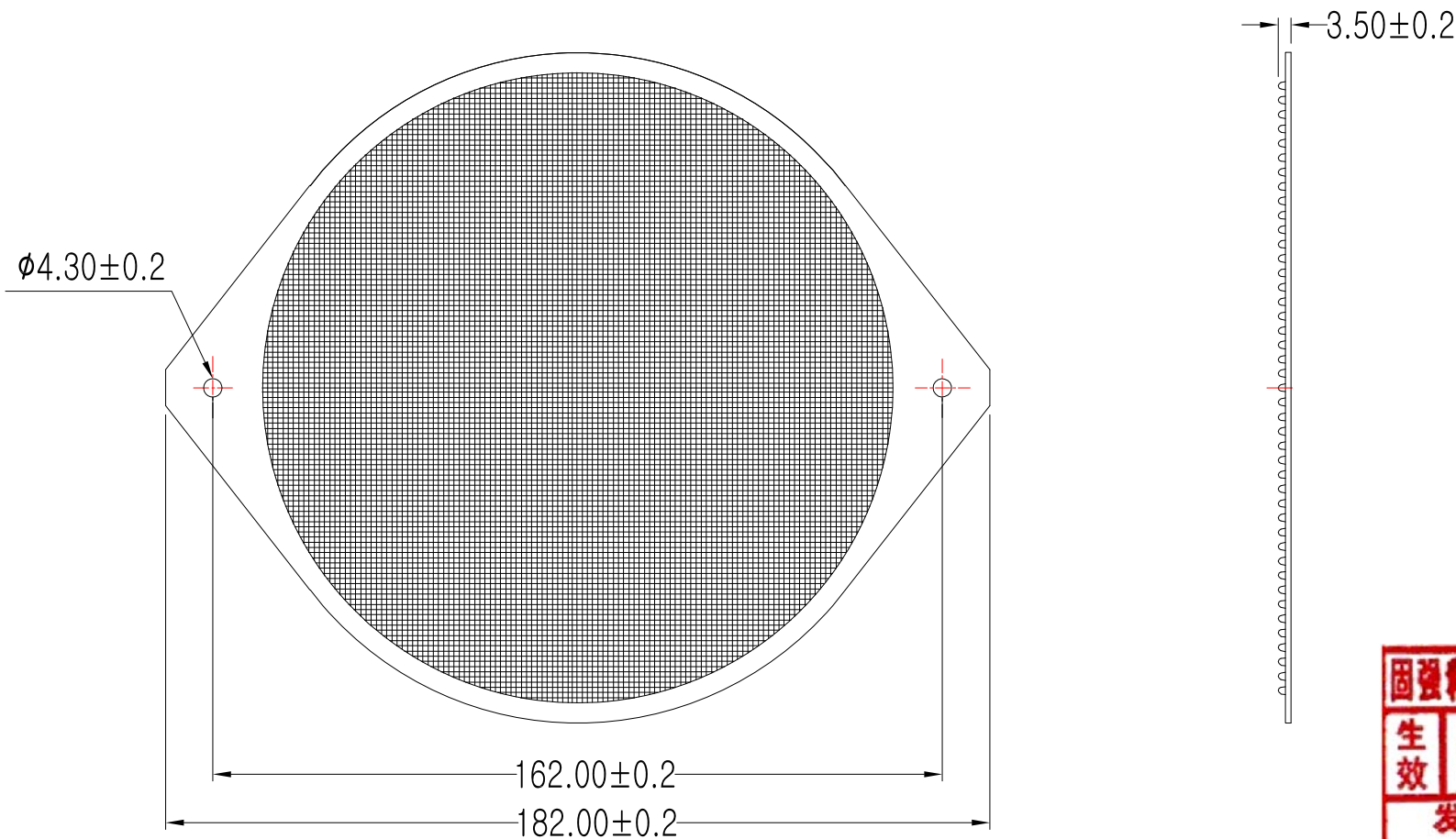


REVISED RECORD

REV NO.	CONTENT	CHG BY	DATE	APPROVED BY
		Gavin	2014/01/18	



Fits for Fan Size:

172\*150\*38mm    172\*150\*55mm

Notes:

\*Frame: Aluminum with 1.6mm thickness.

\*Mesh: 30\*30 mesh convoluted approx 1/8" deep with approx. 3/16" pitch.

*Product dimension Gen. Tol. : ±0.05*			Control Dimensions		x.xxx		For QC Check	
DWG REV		UNLESS OTHERWISE SPECIFIED TOLERANCES			COOLTRON INDUSTRIAL SUPPLY, INC.			
DATE		X.XXX/FL	± 0.127	UNITS				
		X.XX	± 0.254	MM				
		X.X	± 0.5					
A0	2014/01/18	DRAWN	Gavin	DATE	2014/01/18	TITLE:		
A1		CHECKED		DATE		Drawing Number: FFA-162A-1		
A2		APPROVED		DATE		Process:	SCALE	1:1
A3		THIRD ANGLE		PROJECT		SHT OF		1 of 1