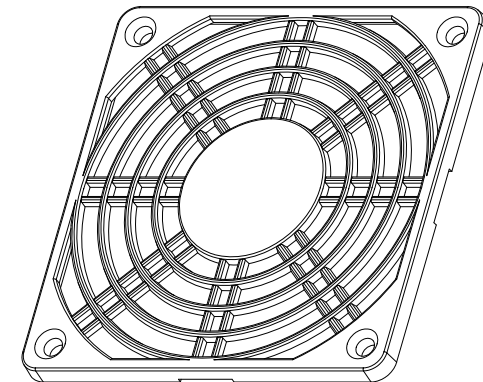
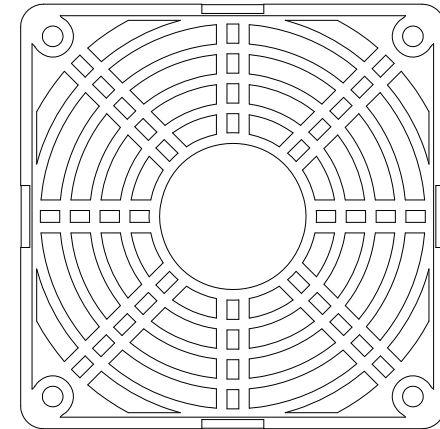
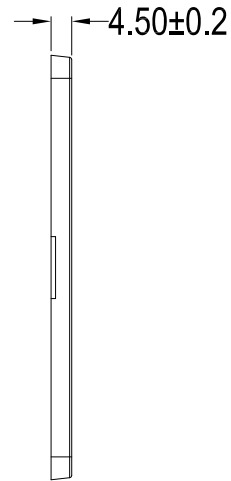
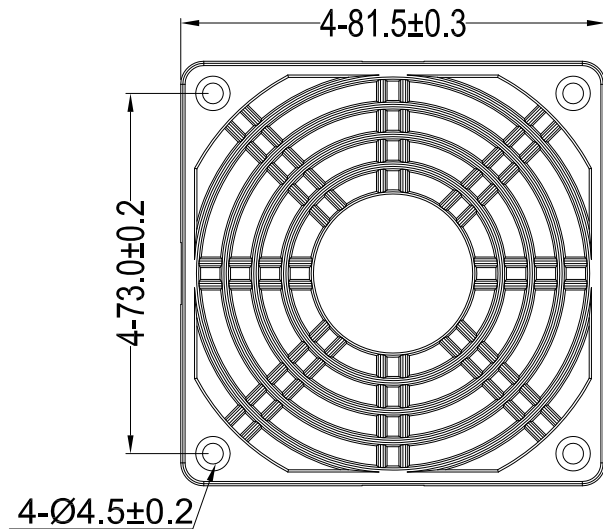


REVISED RECORD				
REV NO.	CONTENT	CHG BY	DATE	APPROVED BY
B0			01/18/2014	Gavin



**Fits for Fan Size:**

80\*80\*10mm 80\*80\*15mm 80\*80\*20mm  
 80\*80\*25mm 80\*80\*32mm 80\*80\*38mm

**Specifications:**

- \* Materials: ABS RoHS , UL rated 94V0 .
- \* Ring spacing comply with safety agency Regulations .
- \* Flat with Thru - hole style .
- \* No Burr , Flash , Bruising , Scratches .
- \*Product not deformation .

UNLESS OTHERWISE SPECIFIED TOLERANCES		UNITS
0 <math>\leq L \leq 20</math>	$\pm 0.05$	
20 <math>\leq L \leq 50</math>	$\pm 0.07$	
50 <math>\leq L \leq 100</math>	$\pm 0.10$	
100 <math>\leq L \leq 150</math>	$\pm 0.15$	
100 <math>\leq L</math>	$\pm 0.20$	

COOLTRON INDUSTRIAL SUPPLY, INC.



DRAWN	Gavin	DATE	01/18/2014	TITLE	FGP-080A-1		
CHECKED		DATE		Drawing Number			
APPROVED		DATE		Process:	SCALE 1:1	SHT 1 OF 1	
THIRD ANGLE			PROJECT				