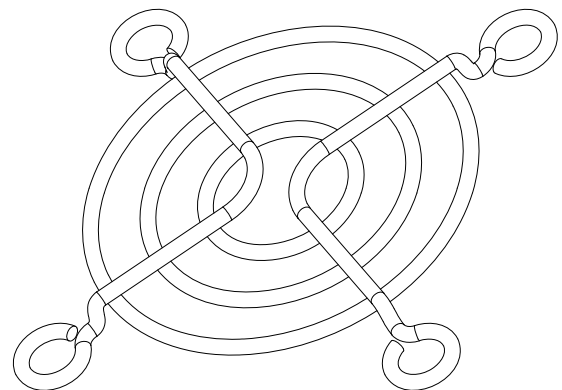
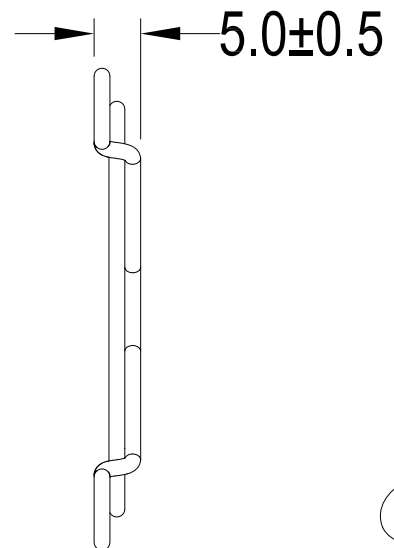
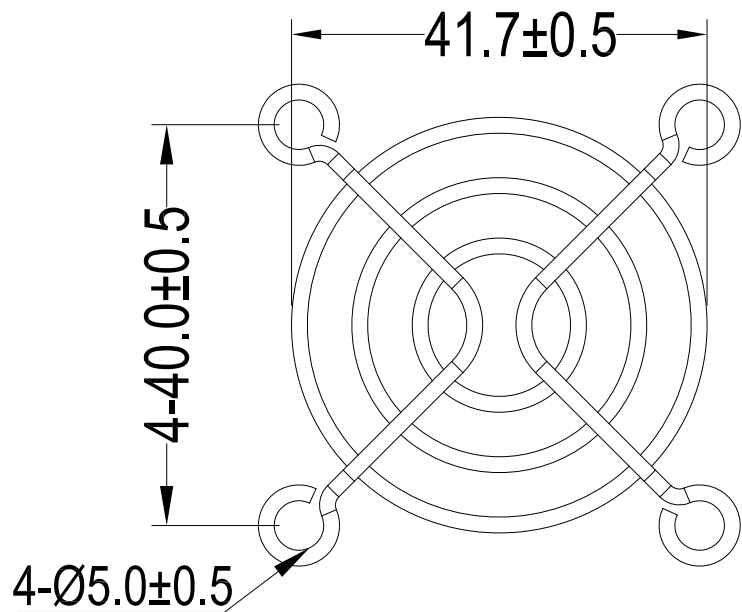


REVISED RECORD				
REV NO.	CONTENT	CHG BY	DATE	APPROVED BY
B3			01/18/2014	Gavin



Fits for Fan Size:

- 50\*50\*10mm 50\*50\*15mm
- 50\*50\*20mm 50\*50\*25mm

Specifications:

- \* Materials: Bright basic wire.
- \* Finish: bright nickel chrome plating.
- ① Rings are  $\varnothing 1.6 \pm 0.1$
- ② Ribs are  $\varnothing 1.6 \pm 0.1$
- \* Weld joints to withstand 88 lbs pull force.
- \* Part meets  $\varnothing 6.35$ mm plug gauge test.

UNLESS OTHERWISE SPECIFIED TOLERANCES		COOLTRON INDUSTRIAL SUPPLY, INC.			
X. XXX	$\pm 0.127$	UNITS	MM		
X. XX	$\pm 0.15$				
X. X	$\pm 0.2$				
X. X°	$\pm 0.5^\circ$				
DRAWN	Gavin	DATE	01/18/2014	TITLE	FGW-050A-1
CHECKED		DATE		Drawing Number	
APPROVED		DATE		Process:	SCALE 1:1 SHT 1 OF 1
THIRD ANGLE		PROJECT			