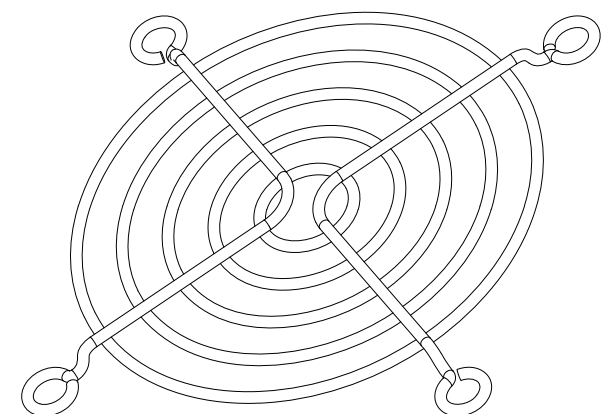
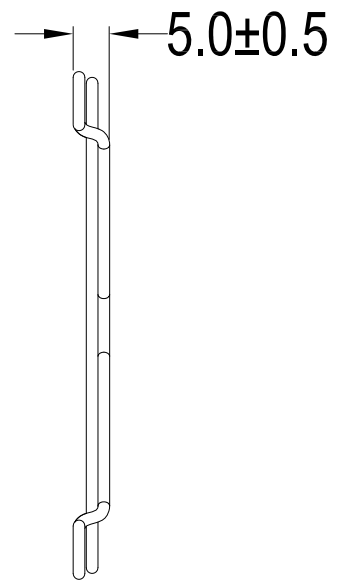
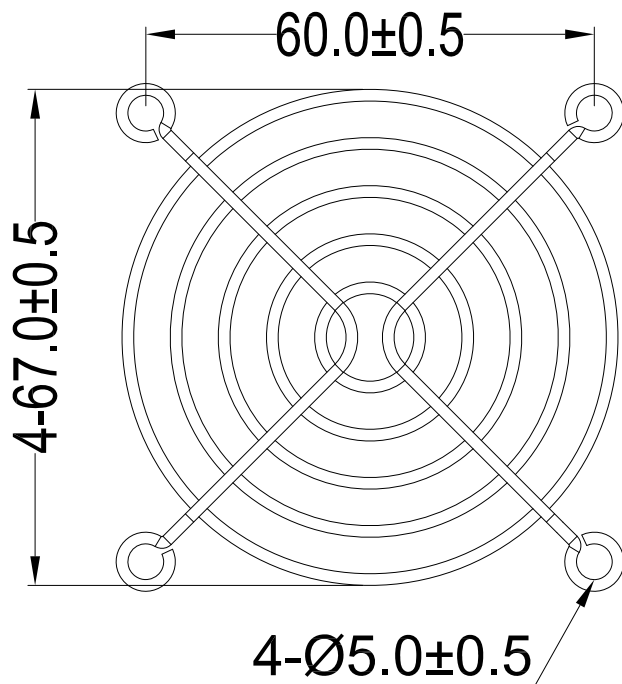


REVISED RECORD				
REV NO.	CONTENT	CHG BY	DATE	APPROVED BY
B3			01/18/2014	Gavin



Fits for Fan Size:

- 70*70*10mm 70*70*15mm 70*70*20mm
- 70*70*25mm 70*70*38mm

Specifications:

- * Materials: Bright basic wire.
- * Finish: bright nickel chrome plating.
- ① Rings are $\varnothing 1.6 \pm 0.1$
- ② Ribs are $\varnothing 1.8 \pm 0.1$
- * Weld joints to withstand 88 lbs pull force.
- * Part meets $\varnothing 6.35$ mm plug gauge test.

UNLESS OTHERWISE SPECIFIED TOLERANCES		COOLTRON INDUSTRIAL SUPPLY, INC.							
X. XXX	± 0.127	UNITS							
X. XX	± 0.15								
X. X	± 0.2	MM	DRAWN	Gavin	DATE	01/18/2014	TITLE	FGW-070A-1	
X. X°	$\pm 0.5^\circ$		CHECKED		DATE		Drawing Number		
THIRD ANGLE		APPROVED		DATE		Process:		SCALE 1:1	SHT 1 OF 1
		PROJECT							