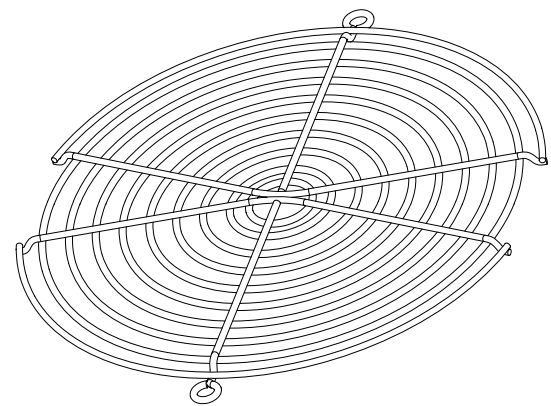
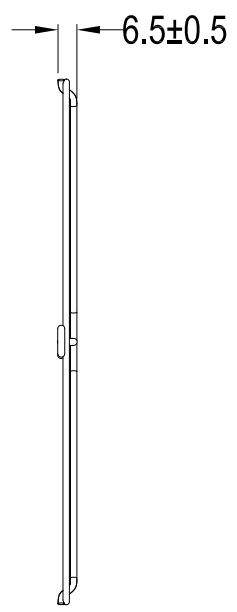
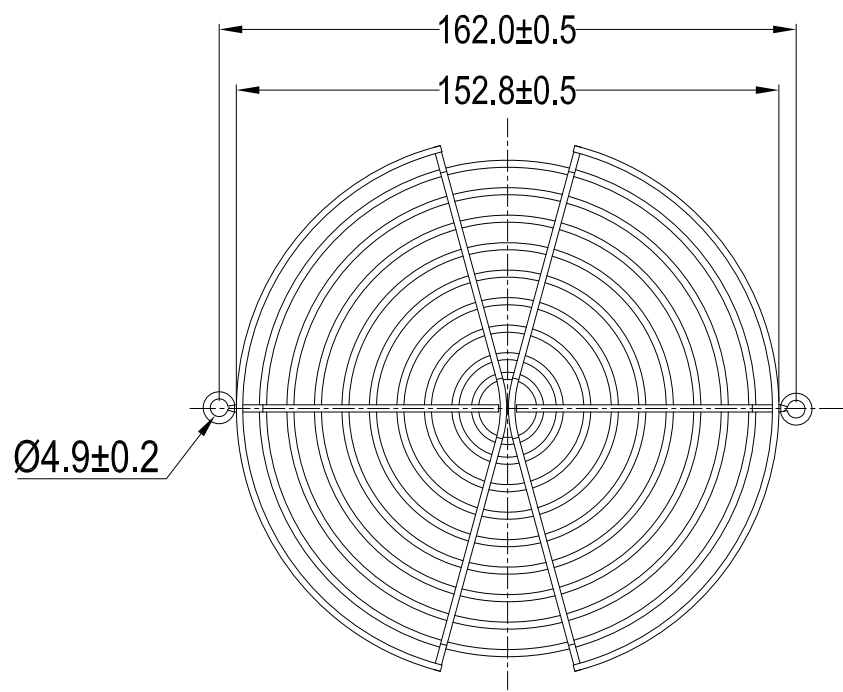


REVISED RECORD				
REV NO.	CONTENT	CHG BY	DATE	APPROVED BY
B1			01/18/2014	Gavin



**Fits for Fan Size:**

- 172\*150\*38mm    172\*150\*51mm
- Ø172\*51mm    172\*151\*55mm

**Specifications:**

- \* Materials: Bright basic wire.
- \* Finish: bright nickel chrome plating.
- ① Rings are Ø1.8±0.1
- ② Ribs are Ø2.3±0.1
- \* Weld joints to withstand 88 lbs pull force.
- \* Part meets Ø6.35mm plug gauge test.

UNLESS OTHERWISE SPECIFIED TOLERANCES		COOLTRON INDUSTRIAL SUPPLY, INC.					
X. XXX	±0.127	UNITS	MM				
X. XX	±0.15						
X. X	±0.2	DRAWN	Gavin	DATE	01/18/2014	TITLE	FGW-162A-1
X. X°	±0.5°		CHECKED		DATE		Drawing Number
THIRD ANGLE		APPROVED		DATE		Process:	
		PROJECT		SCALE	1:1	SHT	1 OF 1

