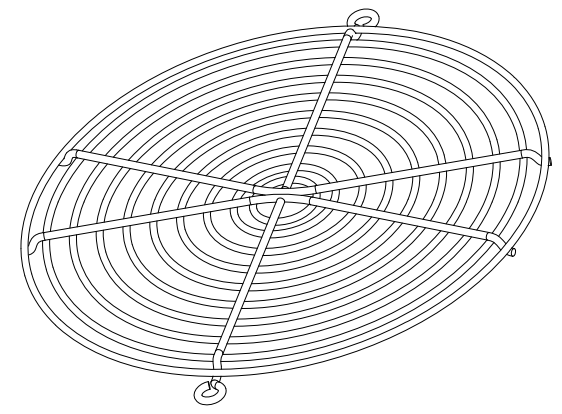
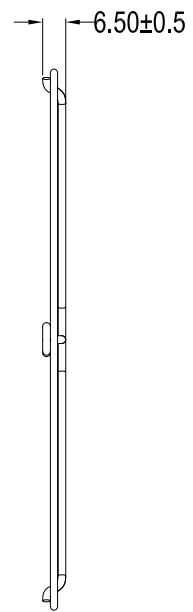
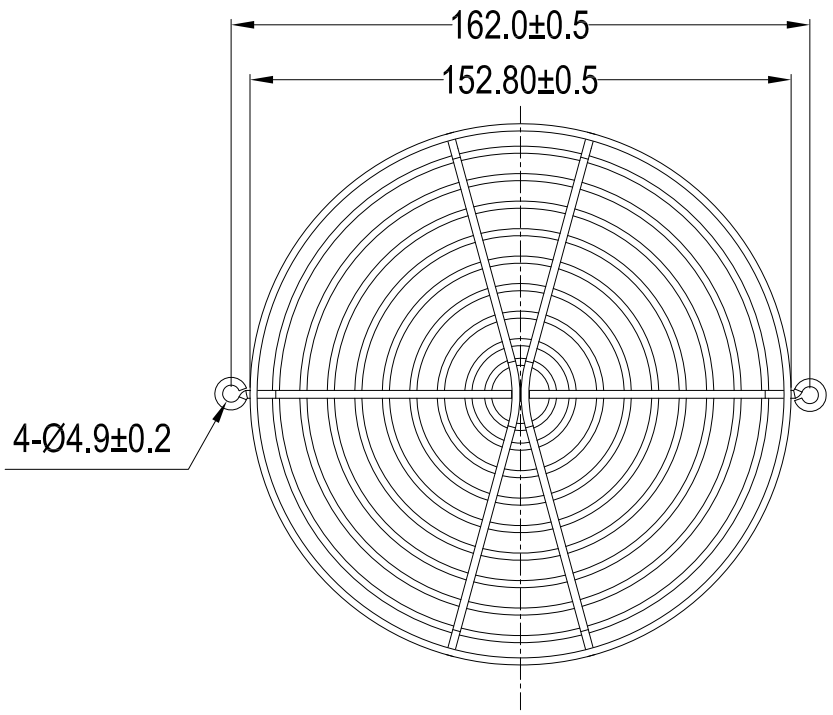


REVISED RECORD				
REV NO.	CONTENT	CHG BY	DATE	APPROVED BY
B1			01/18/2014	Gavin



Fits for Fan Size:  
 172\*150\*38mm 172\*150\*51mm  
 Ø172\*51mm 172\*151\*55mm

- Specifications:
- \* Materials: Bright basic wire.
  - \* Finish: bright nickel chrome plating.
  - ① Rings are  $\text{Ø}1.8\pm0.1$
  - ② Ribs are  $\text{Ø}2.3\pm0.1$
  - \* Weld joints to withstand 88 lbs pull force.
  - \* Part meets  $\text{Ø}6.35\text{mm}$  plug gauge test.

UNLESS OTHERWISE SPECIFIED TOLERANCES		COOLTRON INDUSTRIAL SUPPLY, INC.			
X. XXX	$\pm 0.127$	UNITS MM			DRAWN: Gavin CHECKED: APPROVED: THIRD ANGLE:
X. XX	$\pm 0.15$				
X. X	$\pm 0.2$				
X. X°	$\pm 0.5^\circ$				
		DATE	01/18/2014	TITLE	FGW-162A-5
		DATE		Drawing Number	
		DATE		Process:	SCALE 1:1 SHT 1 OF 1
		PROJECT			