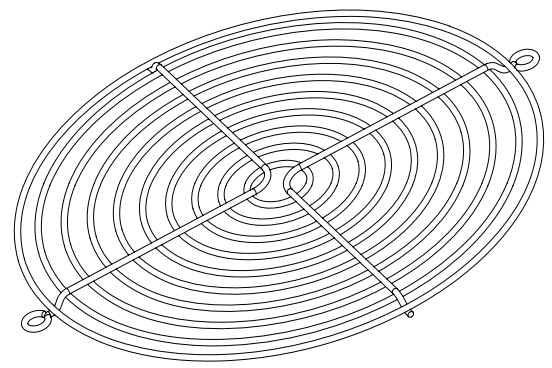
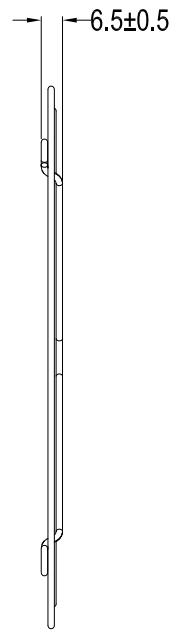
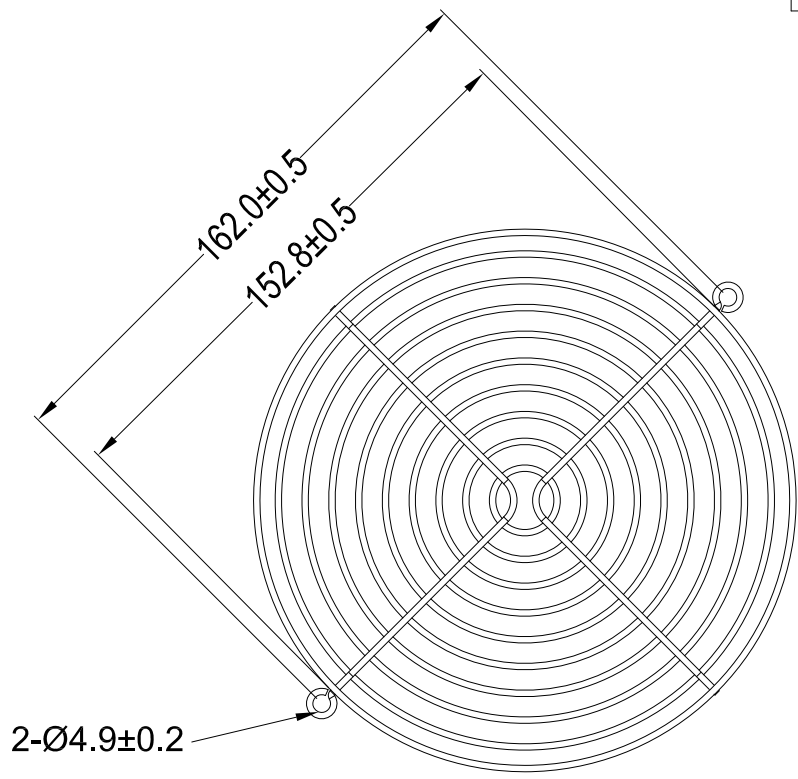


REVISED RECORD				
REV NO.	CONTENT	CHG BY	DATE	APPROVED BY
B1			01/18/2014	Gavin



Fits for Fan Size:
 172*150*38mm 172*150*51mm
 Ø172*51mm 172*151*55mm

Specifications:
 * Materials: Bright basic wire.
 * Finish: bright nickel chrome plating.
 ① Rings are Ø1.8±0.1
 ② Ribs are Ø1.8±0.1
 * Weld joints to withstand 88 lbs pull force.
 * Part meets Ø6.35mm plug gauge test.

UNLESS OTHERWISE SPECIFIED TOLERANCES		COOLTRON INDUSTRIAL SUPPLY, INC.			
X. XXX	±0.127	UNITS			
X. XX	±0.15				
X. X	±0.2				
X. X°	±0.5°				
DRAWN	Gavin	DATE	01/18/2014	TITLE	FGW-162B-1
CHECKED		DATE		Drawing Number	
APPROVED		DATE		Process:	SCALE 1:1 SHT 1 OF 1
THIRD ANGLE		PROJECT			