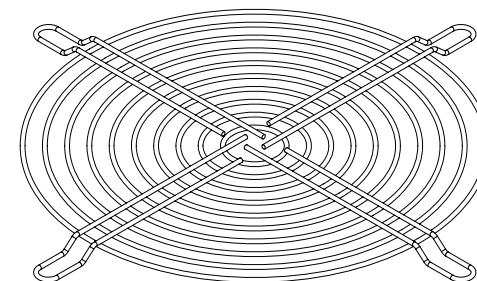
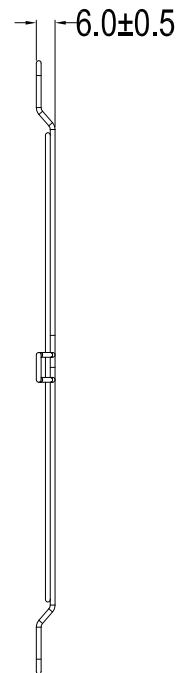
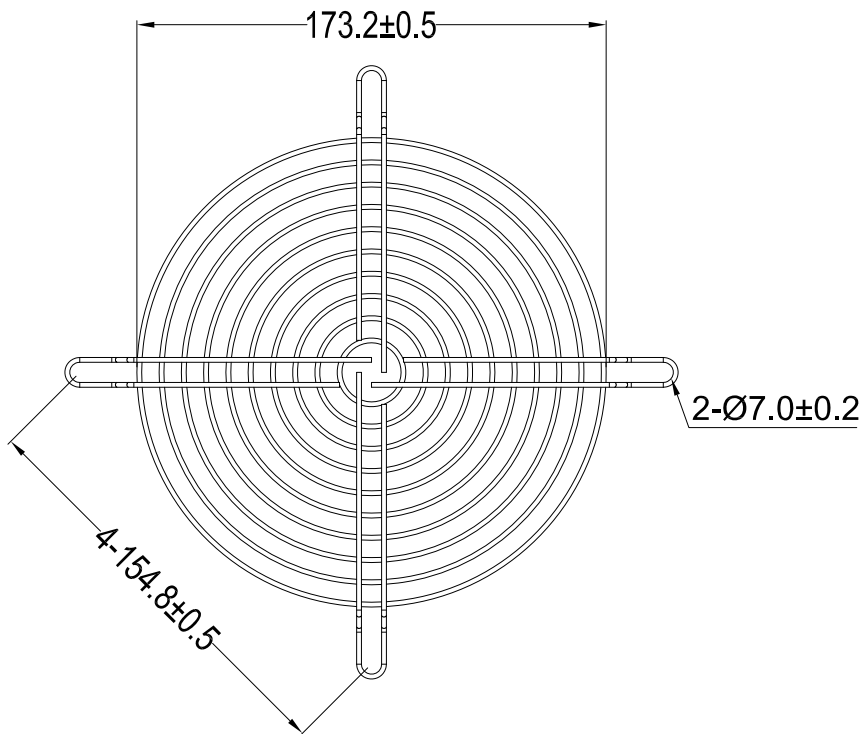


REVISED RECORD				
REV NO.	CONTENT	CHG BY	DATE	APPROVED BY
B1			01/18/2014	Gavin



Fits for Fan Size:

180\*180\*65mm 180\*180\*90mm

Specifications:

\* Materials: Bright basic wire.

\* Finish: bright nickel chrome plating.

① Rings are  $\varnothing 1.8 \pm 0.1$

② Ribs are  $\varnothing 1.8 \pm 0.1$

\* Weld joints to withstand 88 lbs pull force.

\* Part meets  $\varnothing 6.35$ mm plug gauge test.

UNLESS OTHERWISE SPECIFIED TOLERANCES		COOLTRON INDUSTRIAL SUPPLY, INC.											
X. XXX	$\pm 0.127$	UNITS											
X. XX	$\pm 0.15$												
X. X	$\pm 0.2$	MM	DRAWN	Gavin	DATE	01/18/2014	TITLE	FGW-180A-1					
X. X°	$\pm 0.5^\circ$		CHECKED		DATE		Drawing Number						
THIRD ANGLE				APPROVED		DATE		Process:		SCALE	1:1	SHT	1 OF 1
		PROJECT											