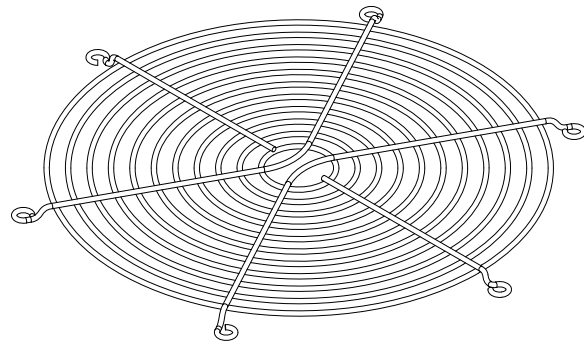
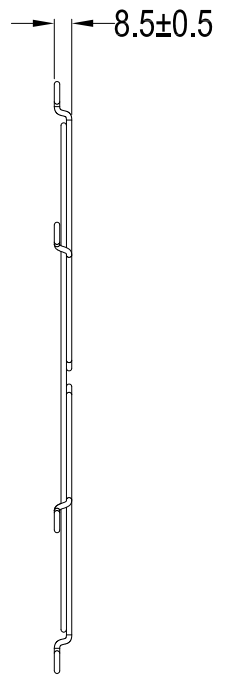
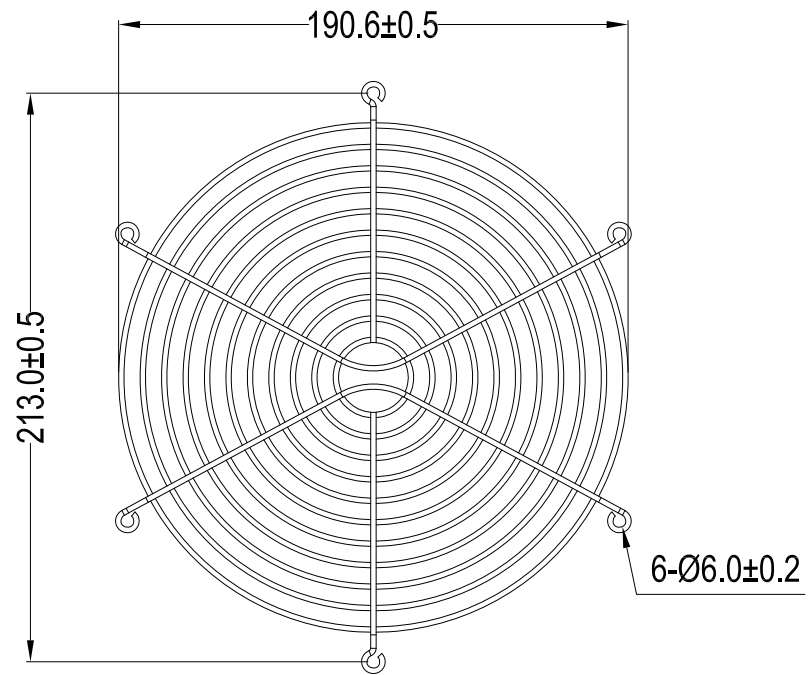


REVISED RECORD				
REV NO.	CONTENT	CHG BY	DATE	APPROVED BY
B1			01/18/2014	Gavin



Fits for Fan Size:  
220\*60mm 222\*60mm

- Specifications:
- \* Materials: Bright basic wire.
  - \* Finish: bright nickel chrome plating.
  - ① Rings are  $\varnothing 1.8 \pm 0.1$
  - ② Ribs are  $\varnothing 1.8 \pm 0.1$
  - \* Weld joints to withstand 88 lbs pull force.
  - \* Part meets  $\varnothing 6.35$ mm plug gauge test.

UNLESS OTHERWISE SPECIFIED TOLERANCES		COOLTRON INDUSTRIAL SUPPLY, INC.			
X. XXX	±0.127	UNITS			
X. XX	±0.15				
X. X	±0.2				
X. X°	±0.5°				
DRAWN	Gavin	DATE	01/18/2014	TITLE	FGW-220A-1
CHECKED		DATE		Drawing Number	
APPROVED		DATE		Process:	SCALE 1:1 SHT 1 OF 1
THIRD ANGLE		PROJECT			