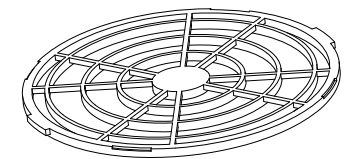
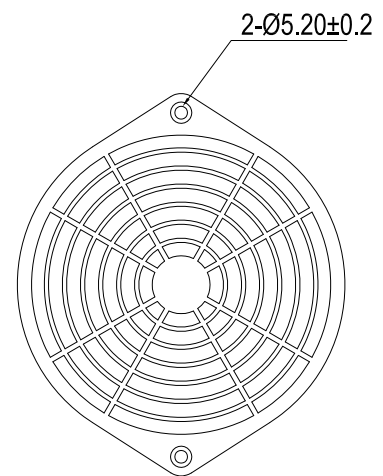
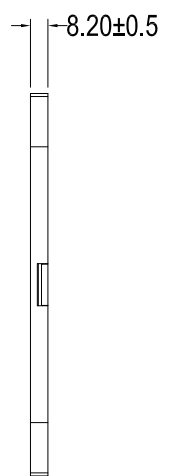
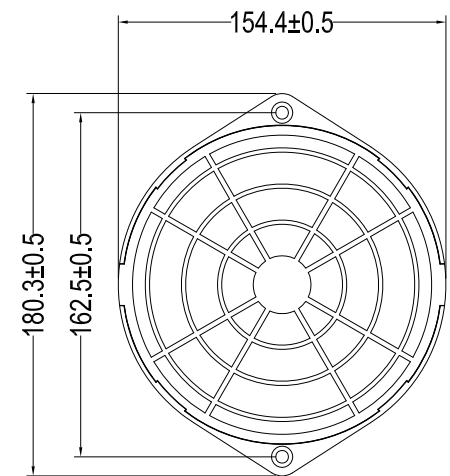
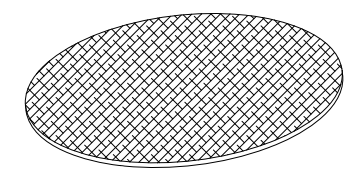


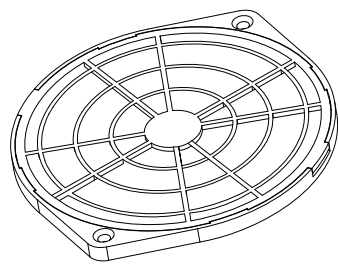
REVISED RECORD				
REV NO.	CONTENT	CHG BY	DATE	APPROVED BY
B2			01/18/2014	Gavin



Guard



Filter



Retainer

Fits for Fan Size:  
172\*150\*38mm 172\*150\*55mm

- Specifications:
- \* Retainer & Guard Material : Flame .  
-Retardant plastic ABS thermoplastic , rated UL94V0 .
  - \* Retainer & Guard Color : Standard black .
  - \* Filter material : Polyurethane ( PU ) Foam ; Size : Ø150\*3.0mm .
  - \* Filter Density : 40PPI , 60PPI ( pores per inch ) .
  - \* No Burr , Flash , Bruising , Scratches .
  - \* Product not deformation .

UNLESS OTHERWISE SPECIFIED TOLERANCES		COOLTRON INDUSTRIAL SUPPLY, INC.			
0 < L ≤ 20	± 0.05	UNITS	MM		
20 < L ≤ 50	± 0.07				
50 < L ≤ 100	± 0.10				
100 < L ≤ 150	± 0.15				
100 < L	± 0.20				
DRAWN	Gavin	DATE	01/18/2014	TITLE	FPF-162A-40
CHECKED		DATE		Drawing Number	
APPROVED		DATE		Process:	
THIRD ANGLE		PROJECT		SCALE	1:1
				SHT	1 OF 1