

- ◆ TRIAC Output (3A) or SCR Output (5A)
- ◆ Control Voltage: 4-15VDC, 15-32VDC, 4-32VDC
- ◆ Load Voltage: 240VAC, 380VAC, 480VAC
- ◆ Load Current: 3A, 5A
- ◆ Dielectric Strength: 4000Vrms
- ◆ RoHS Compliant



Ordering Information

KSD	380	D	5	R	-L	(037)
KSD Series	Load Voltage 240: 240VAC 380: 380VAC 480: 480VAC	DC Control	Load Current 3: 3Amp 5: 5Amp	Switching Mode Blank: Zero Crossing R: Random-on	Control Voltage L: 4-15VDC H: 15-32VDC W: 4-32VDC	(037): Plastic Case

General Specifications

Input Specifications (Ta=25°C)

Control Voltage Range	L	4-15VDC
	H	15-32VDC
	W	4-32VDC
Must Turn-On Voltage	L	4VDC
	H	15VDC
	W	4VDC
Must Turn-Off Voltage	H	5VDC
	L/W	1VDC
Maximum Input Current	H	25mA (@15VDC)
	L/W	25mA (@32VDC)

Output Specifications (Ta=25°C)

Load Voltage Range	240VAC	24-280VAC
	380VAC	24-440VAC
	480VAC	24-530VAC
Maximum Transient Overvoltage	240VAC	600Vpk
	380VAC	800Vpk
	480VAC	1200Vpk
Load Current Range	3A	0.1 - 3A
	5A	0.1 - 5A
Maximum Surge Current (@10 ms)	3A	160A
	5A	250A

Output Specifications (Ta=25°C)

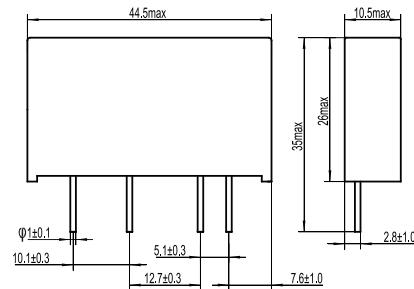
Maximum Turn-On Time	Random-on	1ms
	Zero Crossing	1/2cycle+1ms
Maximum Turn-Off Time	1/2cycle+1ms	
Maximum Off-State Leakage Current@Rated Load Voltage	5mA	
Maximum On-State Voltage Drop@Rated Current	1.5Vrms	
Minimum Off-State dv/dt@Maximum Rated Voltage	3A	200V/μs
	5A	500V/μs

General Specifications (Ta=25°C)	
Dielectric Strength (50/60Hz)	4000Vrms
Minimum Insulation Resistance (@500VDC)	1000MΩ
Ambient Temperature Range	-30°C ~ +80°C
Storage Temperature Range	-30°C ~ +100°C
Weight (Typical)	20g

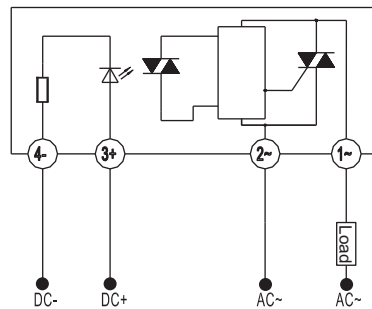
Applications

Suitable for lighting control, motor control, vending machine control, medical device control, valve control etc, and etc.

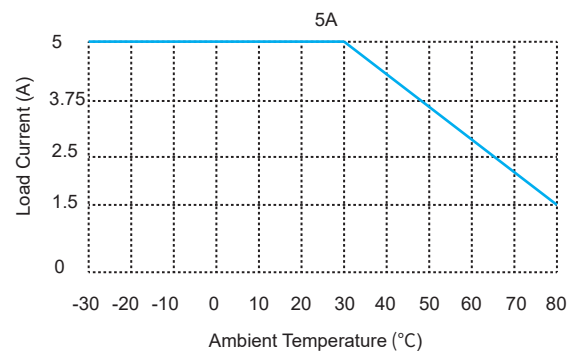
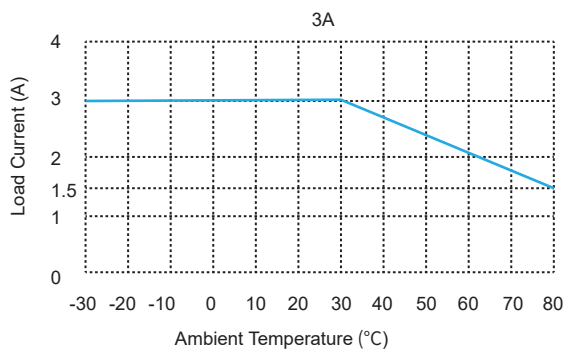
Outline Dimensions



Wiring Diagram



Thermal Derating Curve



General Notes

- Soldering must be finished within 10 seconds at 260°C, or finished within 5 seconds at 350°C. Otherwise it may cause damage to the relay.
- Terminal polarity must be observed. Otherwise it may cause damage to the relay.
- When ambient temperature is above 25°C, the maximum load current decreases. See thermal derating curve.

Agency Approvals

