

- ◆ Small Size
- ◆ Load Current: 10A or 20A
- ◆ 12VDC or 24VDC Input
- ◆ Internal RC/MOV Protection Circuit
- ◆ 3 Phase 2 Control, Internal Delay Circuit, Interlock Circuit
- ◆ Output Connected with Wires
- ◆ RoHS Compliant



### Ordering Information

KMB	380	D	10	-24	(XXX)
KMB Series (1)	Load Voltage 380: 380VAC	D: DC Control	Load Current 10: 10Amp 20: 20Amp	Control Voltage 12: 12VDC 24: 24VDC	XXX: Customized Code

Note (1): The part number selection is subject to the following list.

Information	10A	20A
12VDC	KMB380D10-12	KMB380D20-12
24VDC	KMB380D10-24	KMB380D20-24

### General Specifications

Input Specifications (Ta=25°C)		
Control Voltage Range	-12	9.6-14.4VDC
	-24	19.2-28.8VDC
Must Turn-On Voltage	-12	9.6VDC
	-24	19.2VDC
Must Turn-Off Voltage	2VDC	
Maximum Input Current	15mA	

Output Specifications (Ta=25°C)		
Load Voltage Range	24-440VAC	
Maximum Transient Overvoltage	800Vpk	
Minimum Load Current	100mA	
Minimum Delay Turn-on Time	40ms	
Maximum Turn-Off Time	20ms	
	10A	100A
Maximum 1 Cycle Surge Current (50Hz)	20A	200A
	5mA	
Maximum Off-State Leakage Current@Rated Load Voltage	5mA	
Maximum On-State Voltage Drop@Rated Current	1.5Vrms	
Minimum Off-State dv/dt@Maximum Rated Voltage	200V/μs	

General Specifications (Ta=25°C)		
Dielectric Strength (50/60Hz)	Input/Output	4000Vrms
	Input, output/Base	2500Vrms
Minimum Insulation Resistance (@500VDC)	1000MΩ	
Ambient Temperature Range	-30°C ~ +80°C	
Storage Temperature Range	-30°C ~ +100°C	
Pulse Immunity level	IEC61000-4-4	2kV/100kHz
Surge Immunity level	IEC61000-4-5	2kV/common mould, 1kV/different mould
Electrostatic Discharge Immunity level	IEC61000-4-2	4kV/contact discharge, 8kV/air discharge

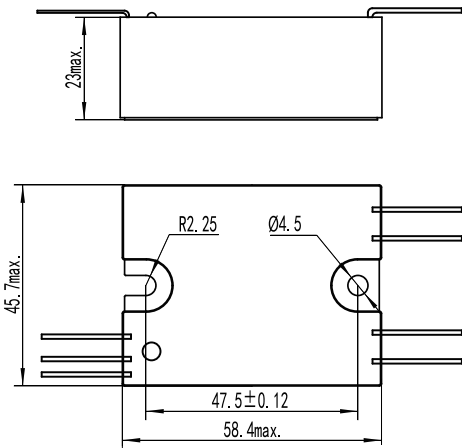
### General Specifications (Ta=25°C)

Weight (Typical)	130g
Working Status Indication	Forward:Green
	Reversion:Red

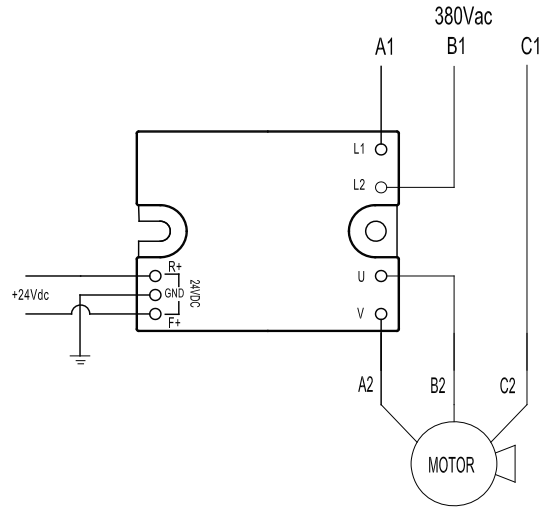
### Applications

Three phase motor reversing control, such as electric actuator, transformer with onload voltage regulating, and etc.

### Outline Dimensions/Wiring Diagram

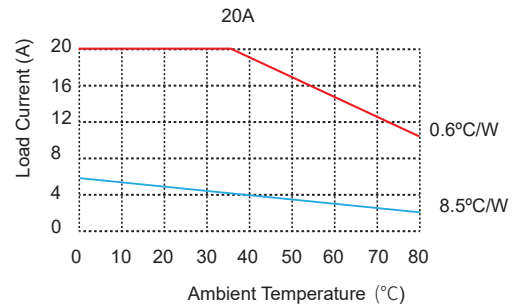
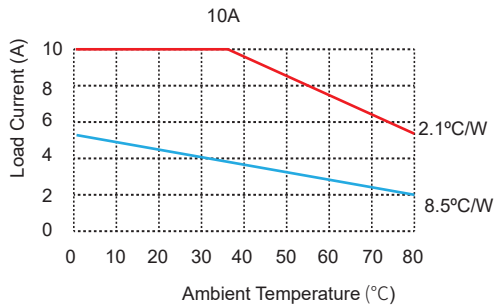


Outline Dimensions



Wiring Diagram

### Thermal Derating Curve



### General Notes

1. Please make sure the product can handle the surge current of the load.
2. Switching time must exceed 40ms.
3. When ambient temperature is above 25°C, the maximum load current decreases. See thermal derating curve.

### Agency Approvals (Certification)

