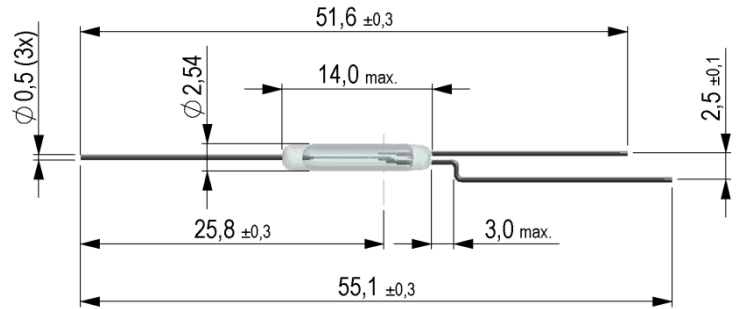
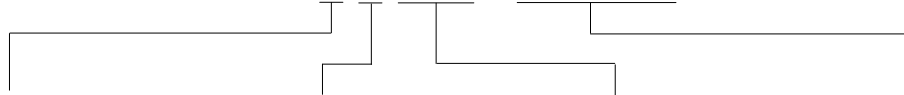


KSK-1C90F Reed Switches



- Features: SPDT Changeover, Miniature, NC Dog Leg Bend
- Applications: Door Detector, Tampering Switch, Counter
- Markets: Automotive, Test & Measurement, Safety & Others

Part Description: **K S K - 1 C 9 0 F X X X X**



| Contact QTY | Contact Form | Switch Model | Pull-In Excitation (AT-Range) |
|-------------|---------------------|--------------|----------------------------------|
| 1 | C (SPDT-Changeover) | 90F | 15 - 45 |

| Contact Data | Unit | |
|--|-----------------|------|
| Rated Power (max.) Any DC combination of V&A not to exceed their individual max.'s | 10 | W |
| Switching Voltage (max.) DC or peak AC | 175 | V |
| Switching Current (max.) DC or peak AC | 0.5 | A |
| Carry Current (max.) DC or peak AC | 1.0 | A |
| Contact Resistance (max.) @ 0.5V & 10mA | 150 | mOhm |
| Breakdown Voltage (min.) DC or peak AC | 200 | V |
| Operating Time (max.) Incl. Bounce; Measured with 40% Overdrive | 0.7 | ms |
| Release Time (max.) Measured with no Coil Excitation | 1.5 | ms |
| Test Coil | KMS-01 | |
| Insulation Resistance (min.) RH < 45%, 100 V Test Voltage | 10 ⁹ | Ohm |
| Capacitance (typ.) @ 10kHz across open Switch | 1 | pF |

Series Datasheet – KSK-1C90F Reed Switches

www.standexmeder.com

| Dimensions (mm) | |
|-----------------------|------|
| Overall Length (max.) | 55.1 |
| Glass Length (max.) | 14.0 |
| Glass Dia (max.) | 2.54 |
| Lead Dia. (max.) | 0.5 |

| Environmental Data | | Unit |
|--|------------|------|
| Shock Resistance (max.) 1/2 sine wave duration 11ms | 50 | g |
| Vibration Resistance (max.) | 20 | g |
| Operating Temperature | -40 to 130 | °C |
| Storage Temperature | -55 to 130 | °C |
| Soldering Temperature (max.) 5 sec. max. | 260 | °C |

KSK-1C90F Reed Switch

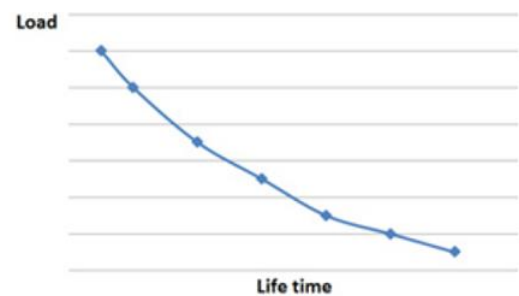


Handling & Assembly Instructions

- Use proper lead clamping or heat sinking techniques to prevent mechanical and/or heat stress to the glass seal during bending, cutting, soldering, and welding
- Mechanical shock as the result of dropping the reed switch typically from a distance of greater than 12" may change it's magnetic sensitivity and/or destroy the switch
- Any form of modification to the switch leads will alter it's magnetic sensitivity
- Series resistor recommended for >5m cable length

Life Test Data

*Load increase reduces life expectancy of Reed Switches



Glossary Contact Form

| | | |
|--------|--|--|
| Form A | NO = Normally Open Contacts SPST = Single Pole Single Throw | |
| Form B | NC = Normally Closed Contacts SPST = Single Pole Single Throw | |
| Form C | Changeover SPDT = Single Pole Double Throw | |

