



Product Specification

Product Name:	Speaker
Part Number:	SCF-1511L3.0-8N1R (8Ω 1W)
Version:	Rev. 1.00
Date:	2021.07.27
Note:	

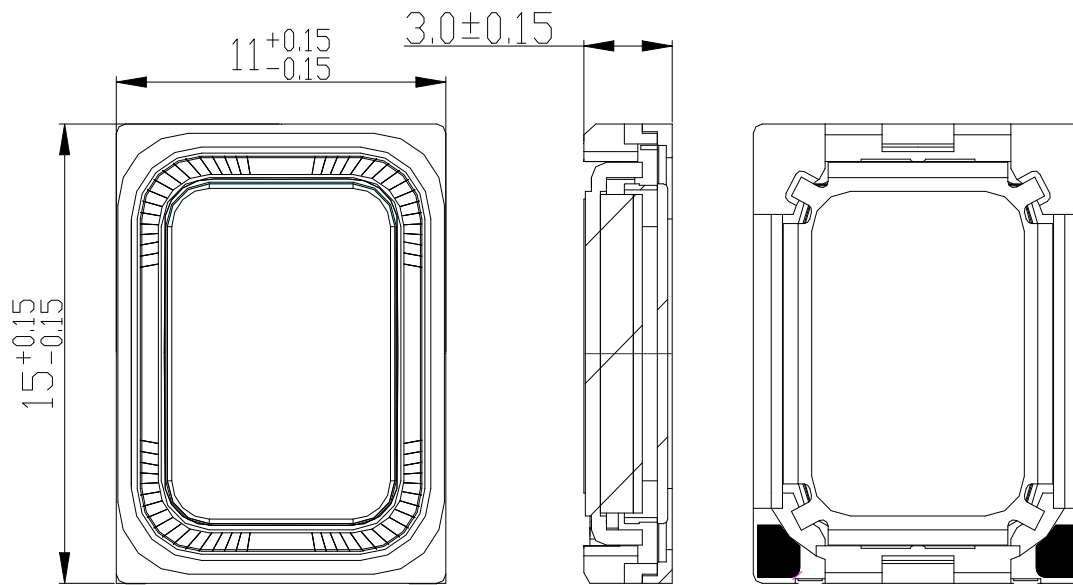
East is an ISO 9001, IATF 16949 and ISO 14001 Certified Company

Revision History

Rev.	Description	Author/Date	Checked By	Approver
1.00	Released	Gao Rong	Zhou Yuanze	Wang Jiancheng

1. Part Number : SCF-1511L3.0-8N1R

2. Dimension Drawing: (Unit: mm)



3. Specification:

No.	Parameter	Conditions/Description	Values	Unit
3-1	Rated Input Power	in 1cc closed box	1.0	W
3-2	Max Input Power	in 1cc closed box	1.3	W
3-3	Rated Impedance	1V input	8+15%	Ω
3-4	Sound Pressure Level (S.P.L.)	1.0W/0.1M at 2.0K	94+3	dB
3-5	Resonant Frequency (Fo)	In Free air	600+20%	Hz
		in 1.0cc closed box	900+20%	
3-6	Frequency Range		F0-10k	Hz
3-7	Distortion	at 1K Hz, input 1.0V, in 1cc box	< 10%	-
3-8	Magnet	NdFeB		
3-9	Buzz, Rattle, etc.	must be normal at sine wave between 300 ~5 kHz, in 1cc box	2.0	V
3-10	Polarity	cone will move forward with positive dc current to "+" terminal		
3-11	Weight		1.5	g
3-12	Operating Temperature		-20~+70	°C
3-13	Storage Temperature		-30~+85	°C
3-14	WaterProof		NA	

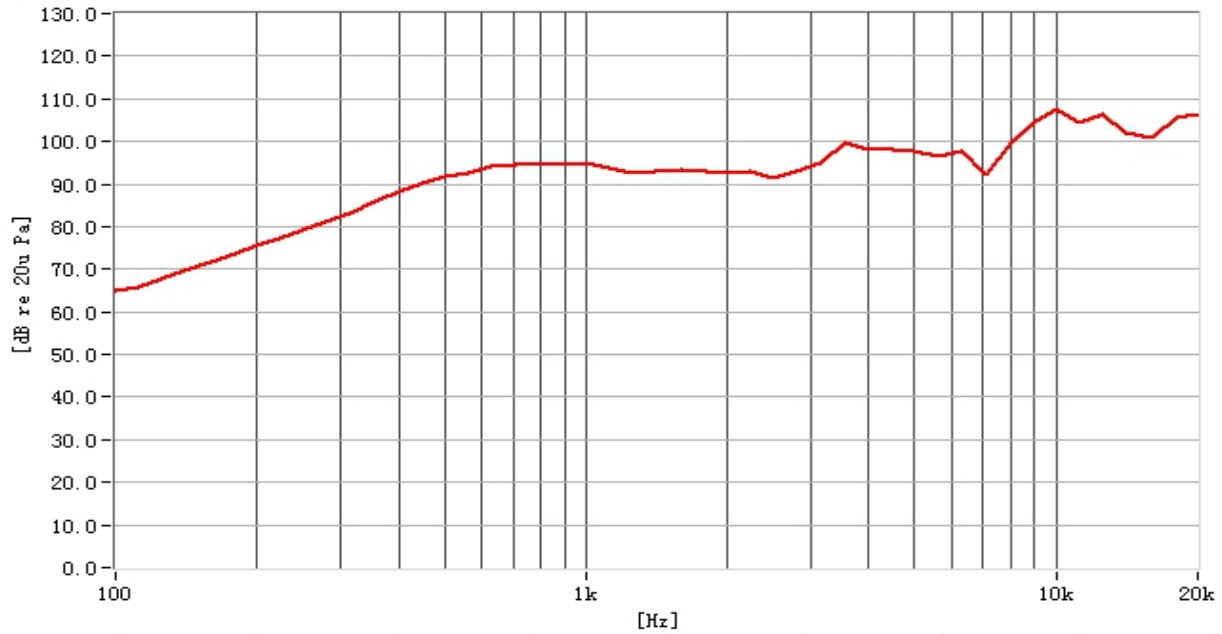
Appearance normal: @A.T. 15~35°C, H.M. 25~75%, B.P. 86~106kPa

NOTES:

1. Test in anechoic room and use the IEC standard baffle which size at : 1350 mm (W) X 1650 mm (H)
2. Test should be made under the conditions of room temperature (20 ±10 °C), relative humidity (60 ±20%) and normal atmospheric pressure. In this case, however, that the judgment is questionable, the test conditions are to be changed to room temperature 20 ±2 °C, relative humidity 60~70% and normal atmospheric pressure.

4. Typical Frequency Response Curve:

XY Graph 6



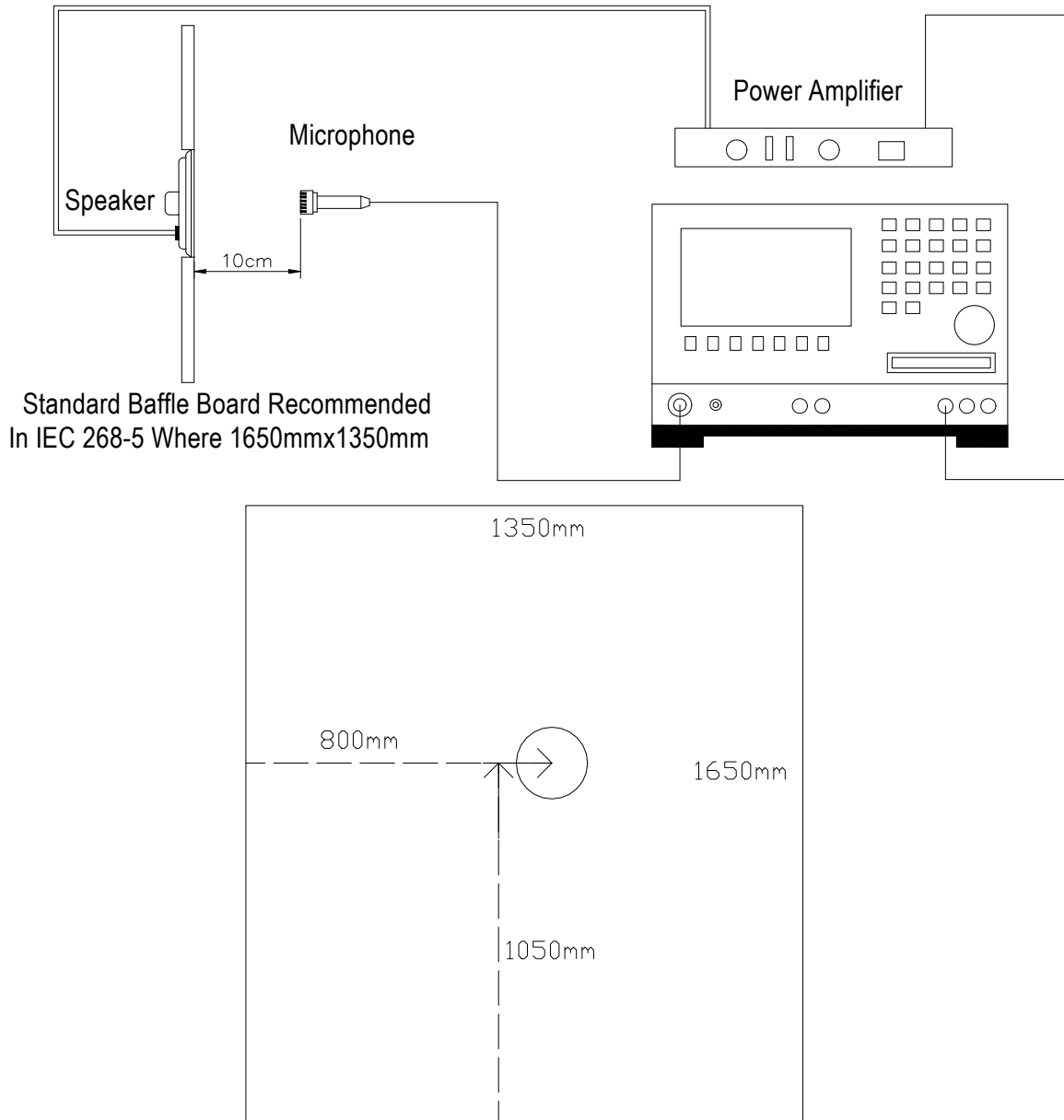
5. Reliability Test:

No.	Item	Method of Test	Tolerance after Testing
1	Reliability Test Performance	After any following test, parts should conform to original performance within ± 3 dB tested with Rated Power, after 6 hours of recovery period.	Appearance: no obviously damage Tone: no obviously noise
2	High Temperature Test	96 hours at $+70^{\circ}\text{C}$	
3	Low Temperature Test	96 hours at -20°C	
4	Humidity Test	96 hours at $+30^{\circ}\text{C}\pm 3^{\circ}\text{C}$, 92-95% RH	
5	Temp./Humidity Cycle	<p>The part shall be subjected 5 cycles. One cycle shall be 6 hours and consist of</p>	<p>SPL ± 3dB</p> <p>F0 $\pm 20\%$</p> <p>ACR $\pm 15\%$</p>
6	Vibration Test	<p>Frequency: 10~55~10Hz Oct/min Amplitude: 1.5mm</p> <p>Duration: 2 hours each of 3 perpendicular directions</p>	

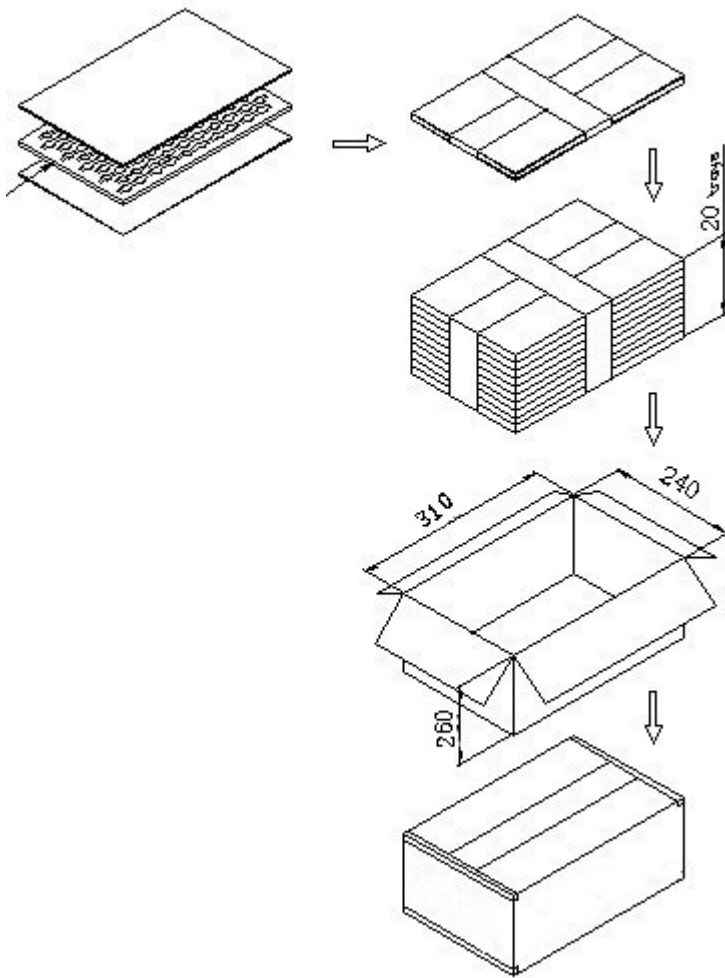
7	Drop Test	Drop the speaker contained in normal box onto the surface of 40mm thick board 10 times from the height of 75cm	
8	Operation Life Test	Must perform normal with program Pink-Noise source at Rated Power for 96 Hours	
9	Termination Strength	Apply 3.0N(0.306kg) to each terminal in horizontal direction for 30 seconds; Apply 2.0N(0.204kg) to each terminal in vertical direction for 30 seconds;	

6. Electrical Testing Method:

Standard test condition of speaker



7. Packing Information:



units: mm

每盘 100 个 100pcs of speaker in each tray

每箱 20 盘 20 trays in one carton

总计:2000 个 / 1 箱 Total:2000 pcs / 1 carton

毛重: 4.5KGS Gross Weight:4.5KGS

净重: 3.0KGS Net Weight: 3.0KGS