



Product Specification

Product Name:	High-Output Piezo Alarm Transducer
Part Number:	TFM-30
Version:	1.02
Date:	2015-2-12
Note:	UTC P/N: 0000-3067

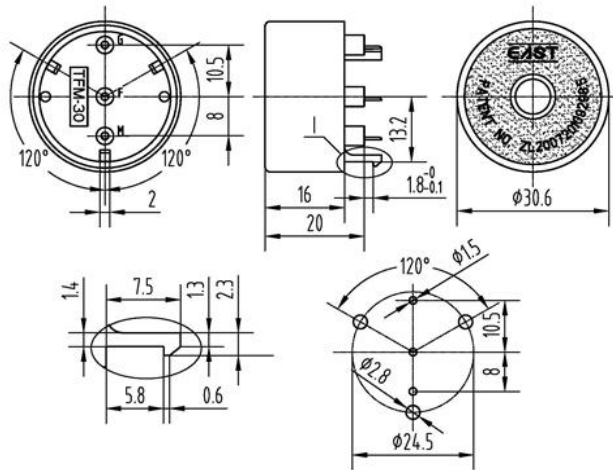
Company passed ISO 9001 / ISO TS16949 / ISO 14001 Certifications

Revision History

Rev.	Description	Author/Date	Checked By	Approver
1.02	Quality Certificate Symbol revised	刘宁 2015-2-12	汤礼东	王建成
1.01	Add the Silver Electrode Thickness	吴磊 2013-5-7	张春雷	王建成
1.0	Released	汤礼东 2011-7-13	张春雷	王建成

1. Part Number TFM-30

2. Dimension Drawing (Unit: mm)



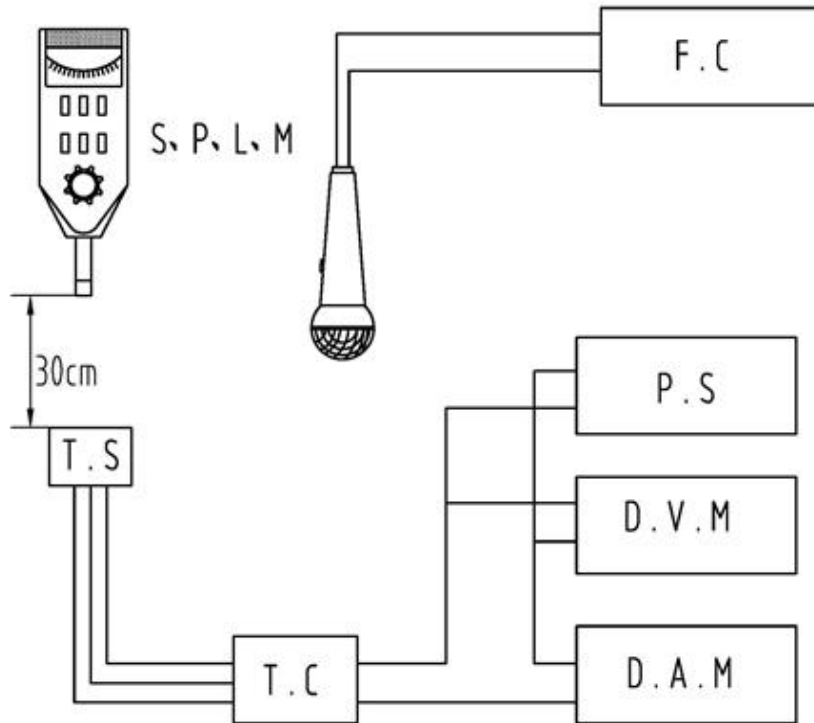
3. Specification

No.	Item	Specification
3-1	Min. Sound Pressure Level	95dB/9V _{DC} /30cm
	Min. Sound Pressure Level	85dB/9V _{DC} /290cm
3-2	Rate Voltage	9V _{DC}
3-3	Operating Voltage	3~14V _{DC}
3-4	Max. Consumption	70mA/9V _{DC}
3-5	Oscillating Frequency	2.9~3.4kHz
3-6	Tone Nature	Continuous
3-7	Operating Temperature	-40~+85°C
3-8	Case Material /Color	PA-757 (ABS)/Black
3-9	Weight	6.3g
3-10	Pin Strength	More Than 10N
3-11	Silver Electrode Thickness	5±2um

NOTES:

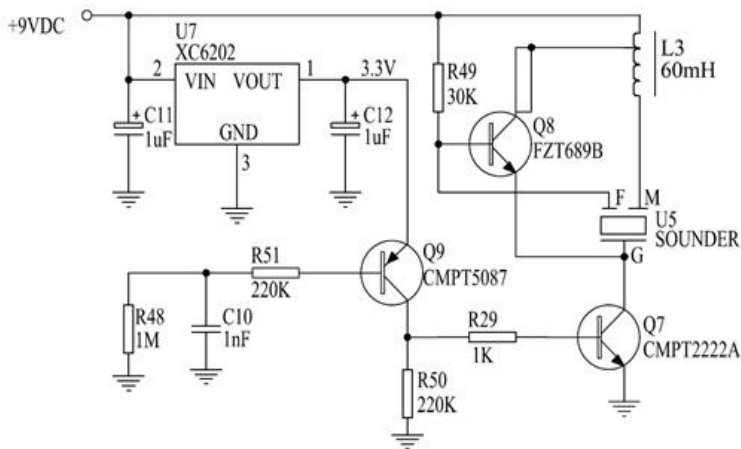
Test should be made under the conditions of room temperature (20±10°C), normal humidity (60±20%) and normal atmospheric pressure. In this case, however, that the judgment is questionable, the test conditions are to be changed to room temperature 20±2°C, relative humidity 60~70% and normal atmospheric pressure

4. Electrical Testing Method



S.P.L.M	Sound Pressure Level Meter
T.S	Testing Sample
F.C	Frequency Counter
P.S	Power Supply
T.C	Test Circuit
D.V.M	DC Voltage Meter
D.A.M	DC Ampere Meter

Test Circuit:



5. Packing Information

Packing: 1152pcs per export carton

Carton Size: 47× 30.5× 35 cm

G. Weight: 9.5 kgs N. Weight: 7.0 kgs