

**External-driven Piezo Transducer****TFM-51FA** □□**FEATURES:** □

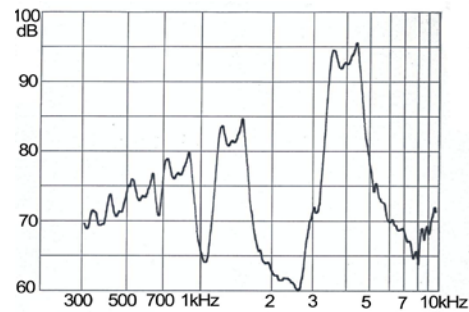
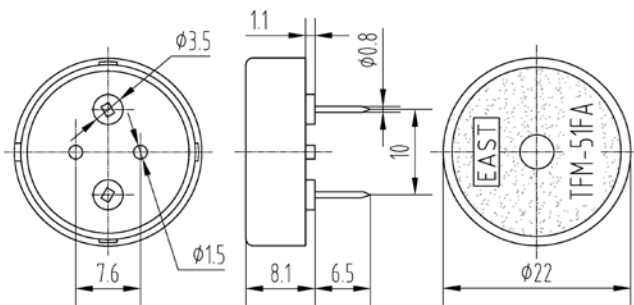
Rev.3



- Low Voltage Driven
- Low Current Drain
- Light and Compact

**APPLICATIONS:**

- Automatic Control Equipment
- Communication Equipment
- Electronic Instruments

**DIMENSIONS: (Unit: mm)****CHARACTERISTICS:****ELECTRICAL SPECIFICATIONS :**

Min. Sound Pressure Level at

4.0kHz/3Vp-p Square Wave/10cm ..... 75dB(A)

Capacitance at 1000Hz ..... 24nF±30%

Allowable Input Voltage..... 30Vp-p

Max. Consumption at

4.0kHz/3Vp-p Square Wave ..... 2mA

Resonant Frequency..... 4.0±0.5KHz

Operating Temperature..... -40~+85°C

Case Material/Color..... PA66/Black

Weight..... 2.4g

**PACKING INFORMATION:***(Packaging might vary without notice)*

Packing: 2500 pcs per export carton

Carton Size: 47x30.5x36 cm

G. Weight: 7.5 kgs N. Weight: 6.0kgs