



Product Specification

Product Name:	High-Output Piezo Alarm Transducer
Part Number:	W-07CE
Version:	1.04
Date:	2019-10-16
Note:	

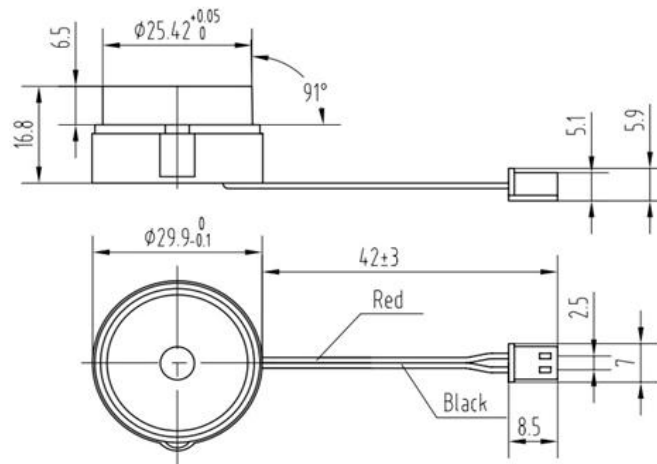
East is an ISO 9001 , IATF16949 and ISO 14001 Certified Company

Revision History

Rev.	Description	Author/Date	Checked By	Approver
1.04	Quality management system revised	汤礼东 2019-10-16	吕文斌	王建成
1.03	29.97 0/0.1 tolerance changed to 29.9 0/0.1	汤礼东 2016-4-5	俞凯	王建成
1.02	Quality Certificate Symbol revised	刘宁 2015-2-12	汤礼东	王建成

1. Part Number W-07CE

2. Dimension Drawing (Unit: mm)



Connector Housing: A2503HOO-2P Connector crimp: A2503TOP-2

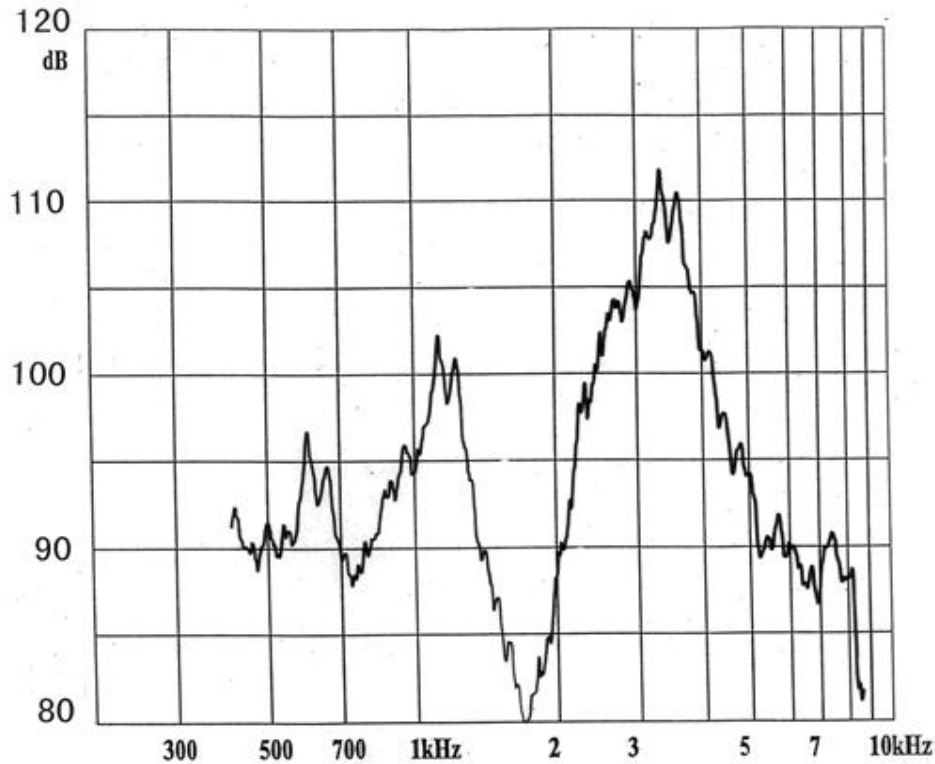
3. Specification

No.	Item	Specification
3-1	Min. Sound Pressure Level	110±5dB/3.3kHz/125Vp-p square wave /30cm
3-2	Capacitance	22±30% nF (At 120Hz)
3-3	Resonant Frequency	3.3±0.5 kHz
3-4	Operating Temperature	-20~+70°C
3-5	Case Material /Color	ABS/IVORY
3-6	Weight	6.7g
3-7	Wire standard	UL1095-26AWG

NOTES:

Test should be made under the conditions of room temperature (20±10°C), normal humidity (60±20%) and normal atmospheric pressure. In this case, however, that the judgment is questionable, the test conditions are to be changed to room temperature 20±2°C, relative humidity 60~70% and normal atmospheric pressure

4. Typical Frequency Response Curve



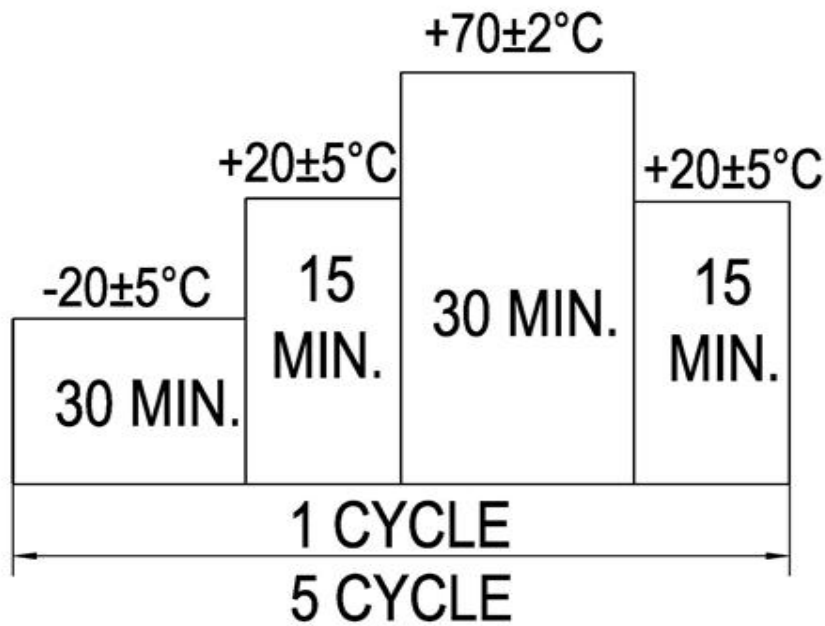
Note: Input Voltage 125Vp-p square wave
Distance 30cm

5. Reliability Test

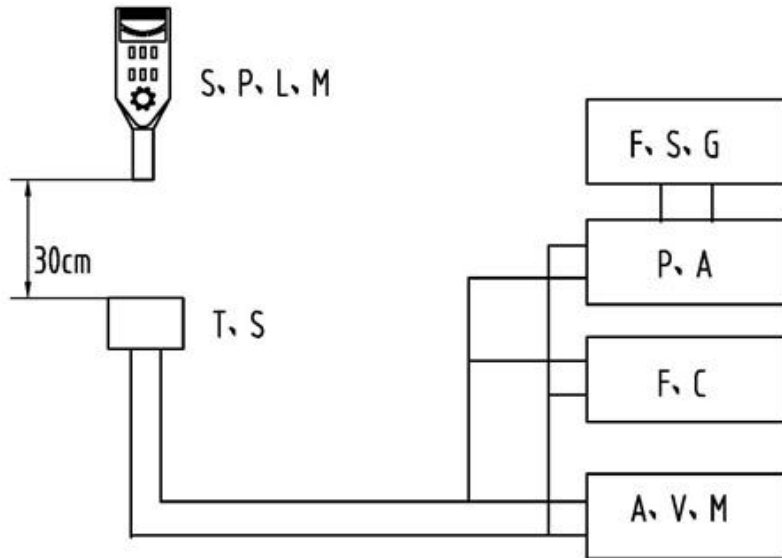
No.	Item	Method of Test	Tolerance after Testing
5-1	Operating Temperature	-20~+70°C	Sound pressure level initial value ± 10 dB Capacitance value $\pm 20\%$
5-2	Storage in high temperature	Storage in +70°C test box 96 hours then exposed to the room temperature for 2 hours	
5-3	Storage in low temperature	Storage in -20°C test box 96 hours then exposed to the room temperature for 2 hours	
5-4	Life test in the room temperature	Operate the product continuously 5 seconds on 5 seconds off 300 hours at rated voltage	
5-5	Temperature / humidity cycle test	Storage in +40°C, 93 \pm 3%RH test box 96 hours then exposed to the room temperature for 2 hours	
5-6	Temperature (high and low) cycle test	Conduct the test for 5 cycles without applying power then expose to the room temperature for 2 hours.(See Figure 5-6)	
		Conduct the test for the directions of X Y and Z for 0.5 hour	

5-7	Vibration test	each (total 1.5 hours). To-and Fro sweep time(from 10 to 55Hz and then 55 to 10) under single amplitude of 0.75mm is 3 minute, then expose to the room temperature for 2 hours	
5-8	Drop test	Drop a product naturally from the height of 700mm onto the surface of 100mm thick wooden board. Two directions: upper and side of the product are to be applied for this drop test once respectively	

Figure 5-6



6. Electrical Testing Method



S.P.L.M	Sound Pressure Level Meter
T.S	Testing Sample
F.C	Frequency Counter
F.S.G	Frequency Signal Generator
A.V.M	AC Voltage Meter
P.A	Power Amplifier

7. Packing Information

Packing: 1080 pcs per export carton

Carton Size: 47× 30.5× 25 cm

G. Weight: 10.3 kgs N. Weight: 7.3 kgs