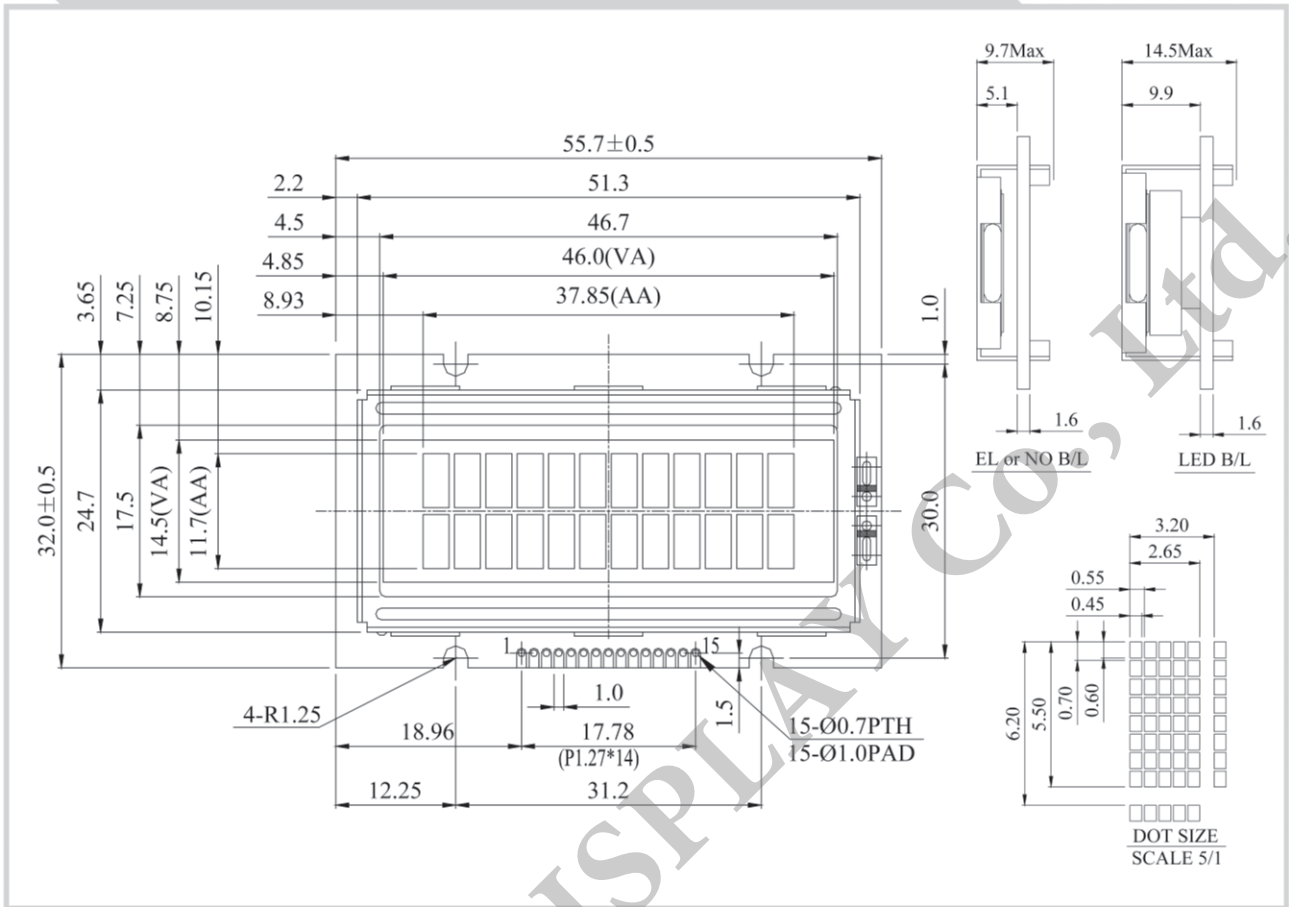


WH1202A Character 12x2



Feature

- 1. 1.5x8 dots includes cursor
- 2. Built-in controller (ST7066 or Equivalent)
- 3. 3.5V power supply (Also available for 3V)
- 4. N.V, optional for 3V power supply
- 5. 1/16 duty cycle
- 6. Interface : 6800, option SPI/I2C (RW1063 IC)

Pin No.	Symbol	Description
1	V _{SS}	Ground
2	V _{DD}	Supply Voltage for logic
3	VO	Operating voltage for LCD
4	RS	H: DATA, L: Instruction code
5	R/W	H: Read L: Write
6	E	Chip enable signal
7	DB0	Data bus line
8	DB1	Data bus line
9	DB2	Data bus line
10	DB3	Data bus line
11	DB4	Data bus line
12	DB5	Data bus line
13	DB6	Data bus line
14	DB7	Data bus line
15	A	Power supply for B/L +

Mechanical Data

Item	Standard Value	Unit
Module Dimension	55.7 x 32.0	mm
Viewing Area	46.0 x 14.5	mm
Mounting Hole	31.2 x 30.0	mm
Character Size	2.65 x 5.50	mm

Electrical Characteristics

Item	Symbol	Standard Value	Unit
		typ.	
Input Voltage	V _{DD}	3/5	V
Recommended LCD Driving Voltage for Normal Temp. Version module @25°C	V _{DD} -V _O	4.20	V

Display Character Address Code

Display position

DD RAM Address	1	2	3	4	5	6	7	8	9	10	11	12
DD RAM Address	00	01									0A	0B
DD RAM Address	40	41									4A	4B