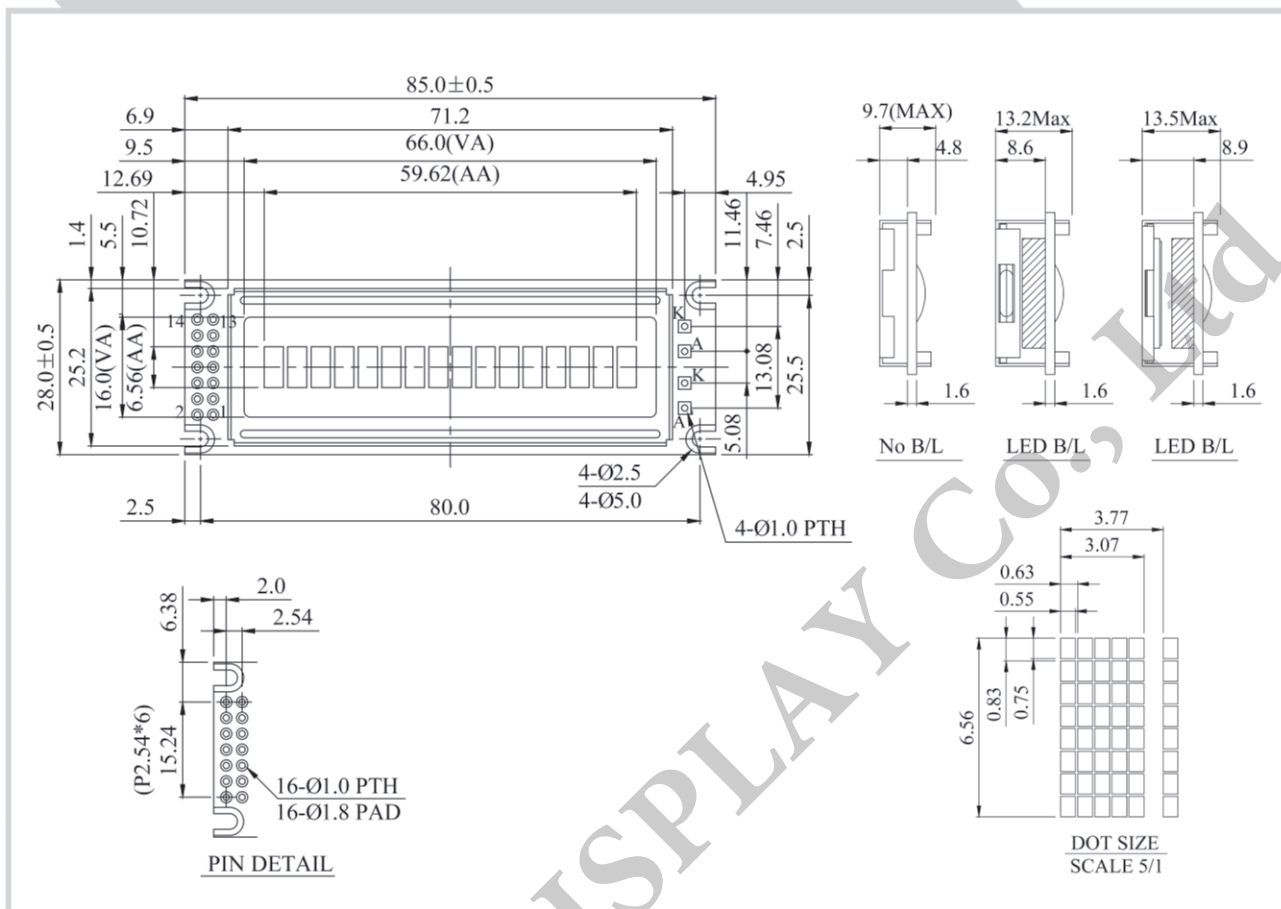


# WH1601B Character 16x1



## Feature

- 1. 1.5x8 dots includes cursor
- 2. Built-in controller (ST7066 or Equivalent)
- 3. 3.5V power supply ( Also available for 3V)
- 4. N.V, optional for 3V power supply
- 5. 1/16 duty cycle
- 6. LED can be driven by PIN1, PIN2, PIN15, PIN16 or A and K
- 7. Interface : 6800, option SPI/I2C (RW1063 IC)

Pin No.	Symbol	Description
1	V <sub>SS</sub>	Ground
2	V <sub>DD</sub>	Power supply for logic
3	V <sub>O</sub>	Contrast Adjustment
4	RS	Data/ Instruction select signal
5	R/W	Read/Write select signal
6	E	Enable signal
7	DB0	Data bus line
8	DB1	Data bus line
9	DB2	Data bus line
10	DB3	Data bus line
11	DB4	Data bus line
12	DB5	Data bus line
13	DB6	Data bus line
14	DB7	Data bus line

## Mechanical Data

Item	Standard Value	Unit
Module Dimension	85.0 x 28.0	mm
Viewing Area	66.0 x 16.0	mm
Mounting Hole	80.0 x 23.0	mm
Character Size	3.07 x 6.56	mm

## Electrical Characteristics

Item	Symbol	Standard Value	Unit
		typ.	
Input Voltage	VDD	5.0	V
Recommended LCD Driving Voltage for Normal Temp. Version module @25°C	VDD-VO	4.35	V

## Display Character Address Code

Display position 1 2 3 4 5 6 7 8 9 10 11 12 13 14 15 16  
 DD RAM Address 00|01 | | | | | | | | 07|40|41 | | | | | | 47